

Ease Series

IN FLEXIBILITY, DESIGN AND COMFORT

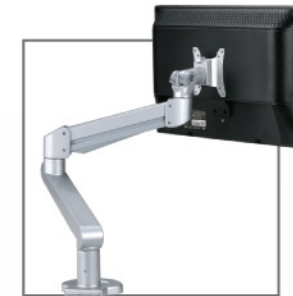
MODERNSOLID

LCD Monitor Arm

Ease Series

FLEXIBILITY • SPACE • ERGONOMICS

Heavy
Duty
Mount



Track
Mount



DISPLAY
MOUNTS

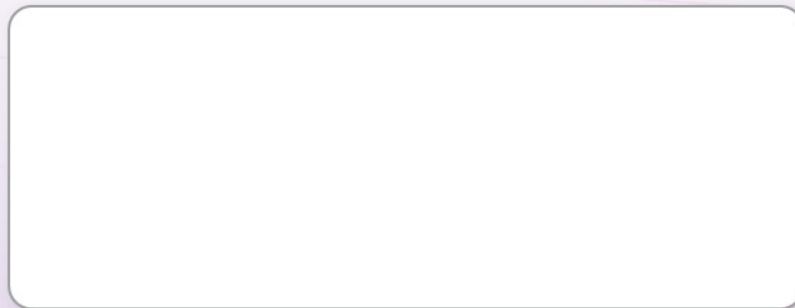
2018



Desk
Mount



Pole
Mount



2018.05

MODERNSOLID INDUSTRIAL CO., LTD.

NO.11-2, Wu Nan Rd., Wu Chi Dist., Taichung City 435, Taiwan.
TEL: 886-4-26397717 / 886-4-26398669 (Rep.) / FAX: 886-4-26398333
Website: www.modernsolid.com / www.mms-healthcare.com
E-mail: info@mosolid.com.tw



MODERNSOLID

www.modernsolid.com

Company Profile



MODERNSOLID, an ISO 9001 approved manufacturer, supplies since 1988 a wide range of Mounting Solutions that accommodates large and small displays for office, education, industrial, and healthcare market, etc.

As an awarded innovative company, **MODERNSOLID** keeps on top of the latest market trends and research in the technology field, and is dedicated to helping our partners find the best solution. We offer an entire range of products tailored to any market opportunities.

We support our customers in growing their business with innovative, high quality engineering products and years of manufacturing experience.

Contact us and let us support your growing business with **MODERNSOLID**-Products!

Contents

Ease Series

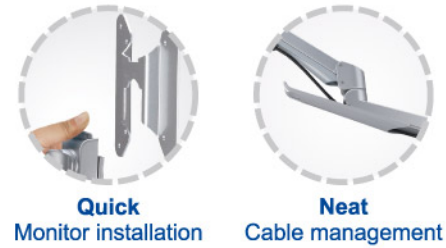
03	Desk Mount	Single Mount Type Dual Mount Type
05	Universal Slat Mount	
06	Wall Mount	
07	Heavy Duty Mount	Single Mount Type Dual Mount Type
09	Track Mount	
10	Pole Mount	Gas Spring Assisted Arm Non-dynamic Arm
18	More Display Mounting Solution of MODERNSOLID	Interactive Mobile Multimedia Cart Signage Stand Tablet Mount

Desk Mount



Single Mount Type Gas Spring inside

- Slim and streamlined design frees up desk space.
- Allows effortless adjustment for viewing comfort.
- Comes with both desk clamp and grommet mount.
- Organized cable management gives a neat look.
- Quick-release VESA enables easy installation.



color Silver White Black



EA-N111W
Clamp Type
VESA 75/100mm
max 1.5~4kg (3.3~8.8lbs)

EA-N111
Clamp Type
VESA 75/100mm
max 3~8kg (6.6~17.6lbs)

EA-NA111
New Clamp Type
VESA 75/100mm
max 3~8kg (6.6~17.6lbs)



EA-N111
Grommet Type



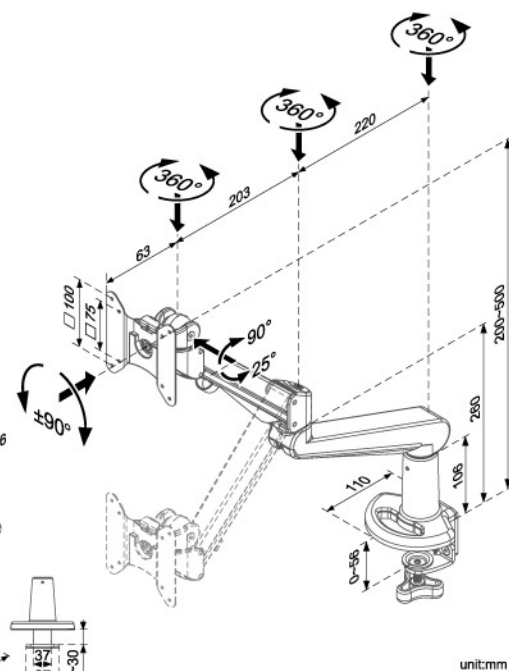
EA-N111
Grommet Type



EA-NA111
New Clamp Type



EA-NA111
New Clamp Type



unit:mm

Single Mount Type Gas Spring inside



EA-N113W
Clamp Type
VESA 75/100mm
max 1.5~4kg (3.3~8.8lbs)

EA-N113
Clamp Type
VESA 75/100mm
max 3~8kg (6.6~17.6lbs)

EA-NA113
Clamp Type
VESA 75/100mm
max 3~8kg (6.6~17.6lbs)



EA-N113
Grommet Type



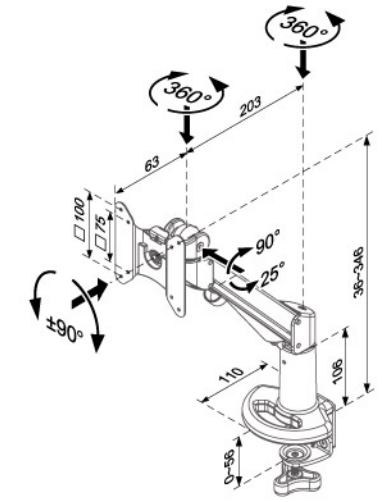
EA-N113
Grommet Type



EA-NA113
New Clamp Type



EA-NA113
New Clamp Type



unit:mm

Dual Mount Type Gas Spring inside

- Sturdy design made of high quality aluminum alloy.
- Dual monitor application enables greater productivity.
- Adjust the two monitors either independently or as a single unit.
- Comes with both desk clamp and grommet mount.



EA-N115W
Clamp Type
VESA 75/100mm
max 1.5~4kg (3.3~8.8lbs) / single arm

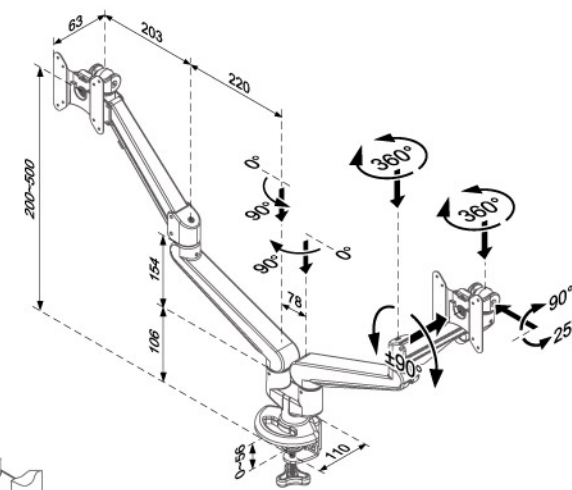
EA-N115
Clamp Type
VESA 75/100mm
max 3~8kg (6.6~17.6lbs) / single arm



EA-N115
Grommet Type



EA-N115
Grommet Type



unit:mm

Universal Slat Mount



Universal Slat Mount Type Gas Spring inside

- Works perfectly with slat walls.
- Improves working comfort and productivity.
- Cable management system routes the cables neatly.
- Quick-release VESA enables easy installation.

EA-N119W

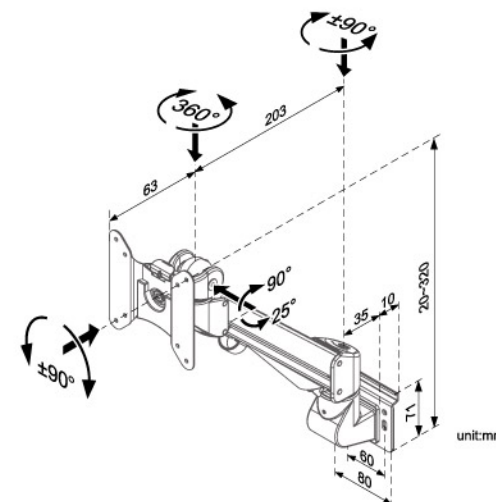
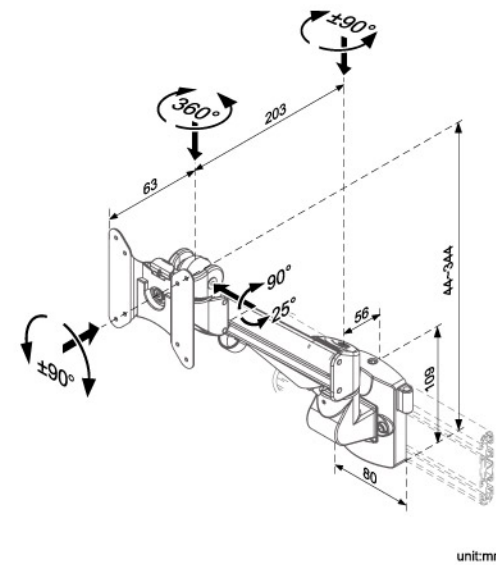
VESA 75/100mm
max 1.5~4kg (3.3~8.8lbs)

EA-N119

VESA 75/100mm
max 3~8kg (6.6~17.6lbs)

EA-N119A

VESA 75/100mm
max 3~8kg (6.6~17.6lbs)

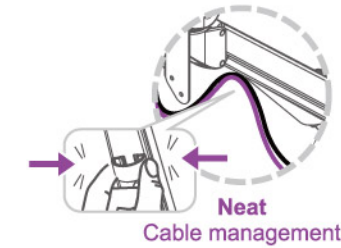


Wall Mount



Wall Mount Type Gas Spring inside

- Enables comfortable viewing for display mounted on the wall.
- Push the monitor out of the way when not in use.
- Cable management system conceals the cable under the arms.
- Quick-release VESA enables easy installation.

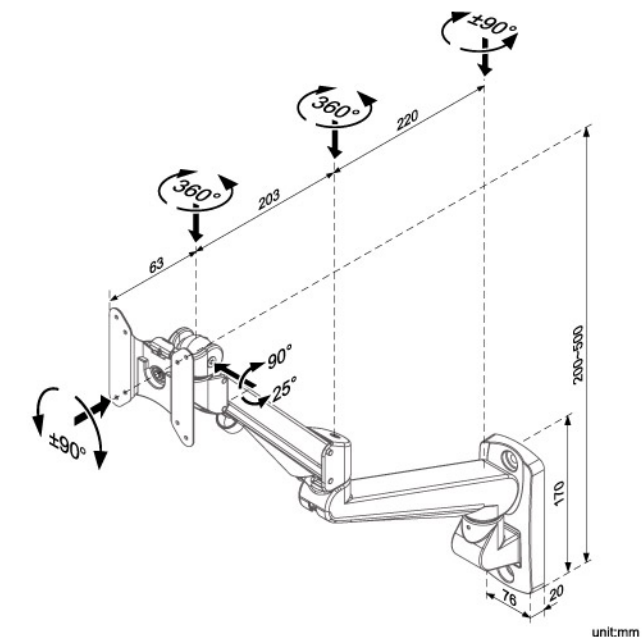


EA-N151W

VESA 75/100mm
max 1.5~4kg (3.3~8.8lbs)

EA-N151

VESA 75/100mm
max 3~8kg (6.6~17.6lbs)



Heavy Duty Mount

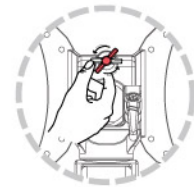


Single Mount Type Gas Spring inside

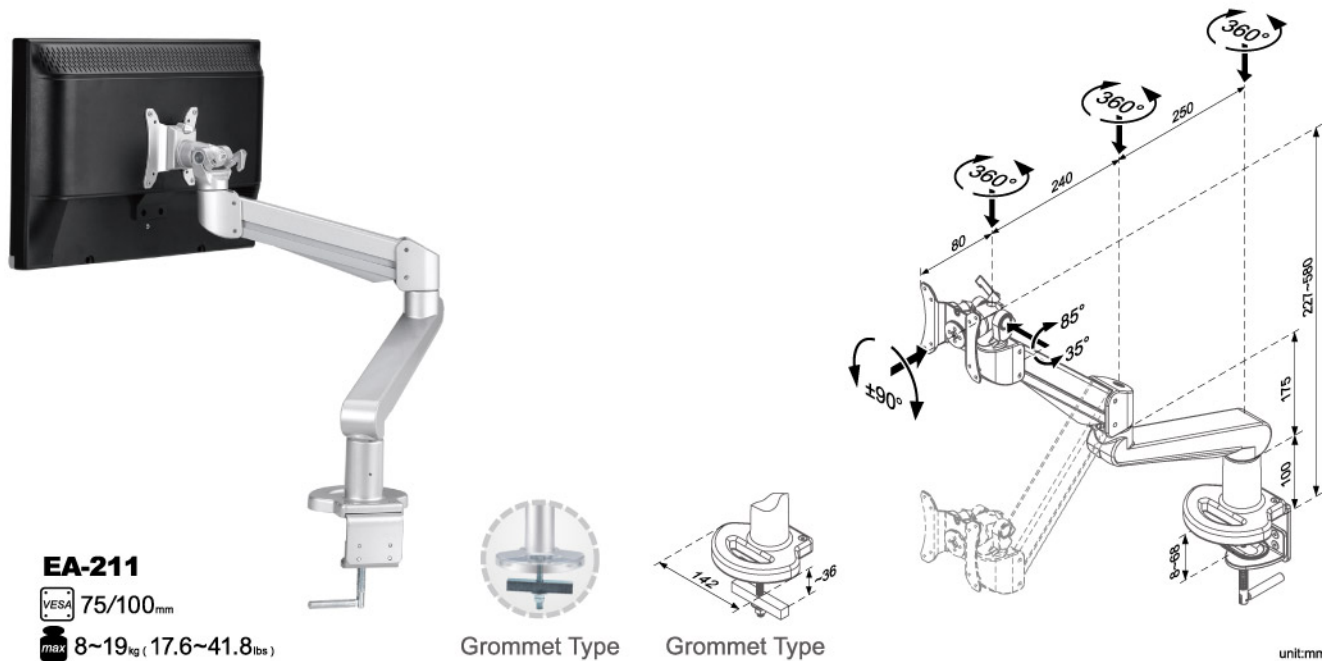
- Supports heavier monitors 8-19kg.
- Quick-release VESA enables easy installation.
- Gas spring assisted helps easy height adjustment for viewing comfort.
- Organized cable management gives a neat look.
- Comes with both desk clamp and grommet mount.
- Attaching VESA Adapter Plate, model OP-026 to EA VESA head to accommodate flat panel TV up to 50 inches. The TV's weight should be 8~19kg and the TV should meet OP-026 VESA hole patterns.



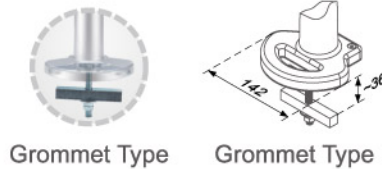
OP-026
Vesa Adapter Plate
VESA 200/300/400mm



Quick
Monitor installation



EA-211
VESA 75/100mm
max 8~19kg (17.6~41.8lbs)

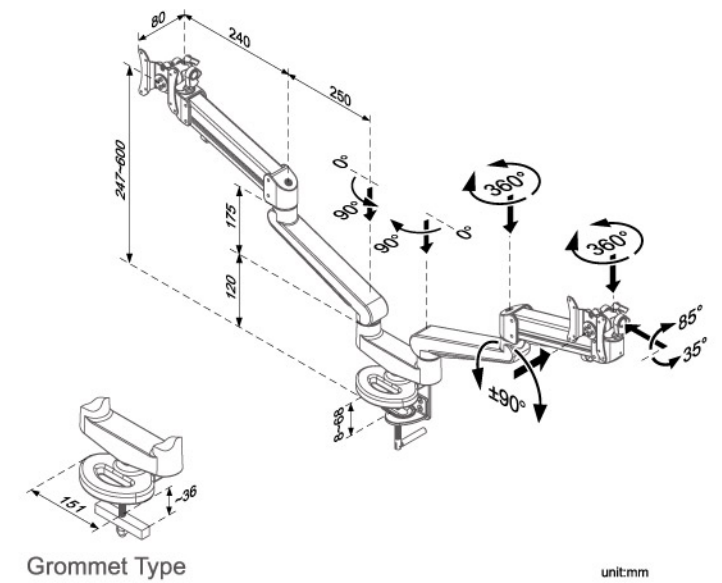
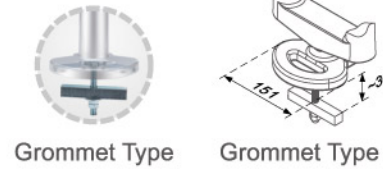


Dual Mount Type Gas Spring inside

- Supports heavier monitors – each weighing 8-19kg.
- Adjust the two monitors either independently or as a single unit.

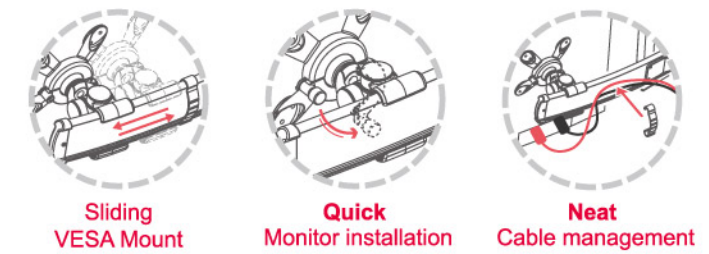


EA-215
VESA 75/100mm
max 8~19kg (17.6~41.8lbs) / single arm

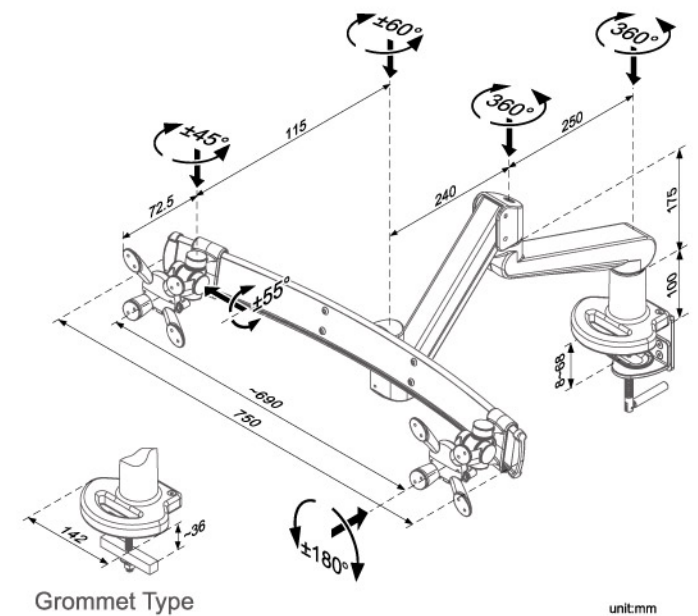
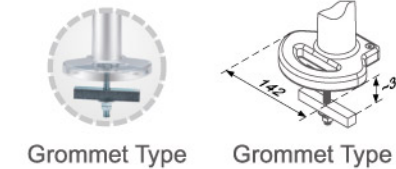


Dual Mount Type Gas Spring inside

- With a crossbar, it supports two monitors up to 9.5kg each in weight, 19kg in total.
- Monitors can be adjusted simultaneously and lined up perfectly.



EA-212
VESA 75/100mm
max 8~19kg (17.6~41.8lbs)



Track Mount



Track Mount Type

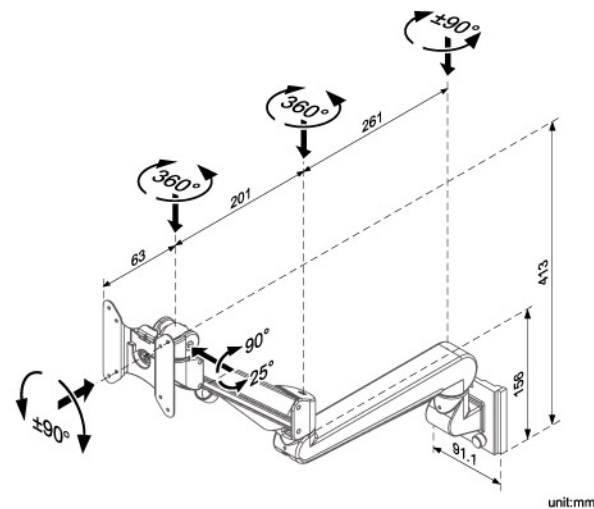
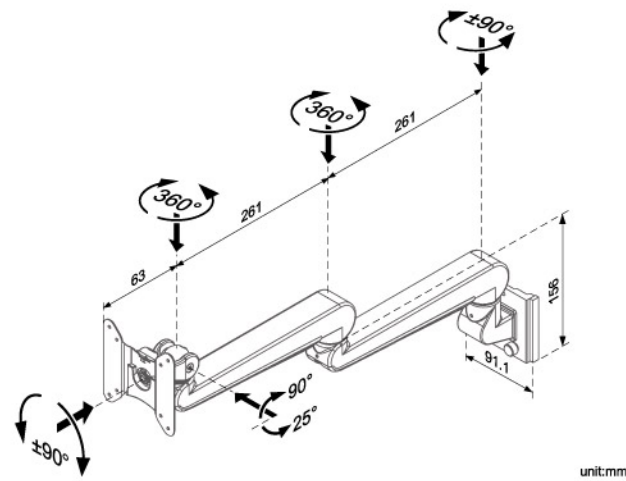
- Slide the monitor arm into place on track easily.
- Flexible height adjustment offer maximum comfort and ergonomic benefits.
- Accommodate users of sitting and standing work postures to create a healthy workplace.



EA-N251
 VESA 75/100mm
 max ~8kg (17.6lbs)



EA-N371
 VESA 75/100mm
 max 3~8kg (6.6~17.6lbs)
 Gas Spring inside



Pole Mount



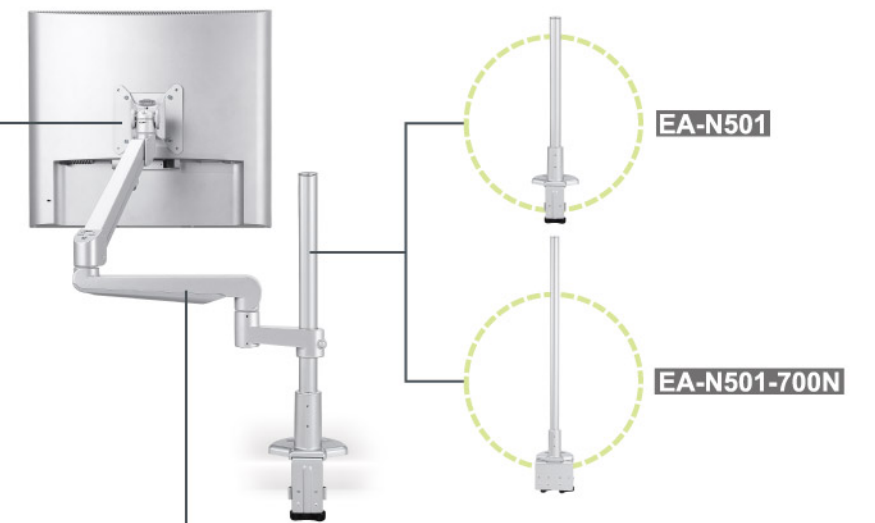
Flexible Configurations

- 180 degree lock out feature.
- VESA plate quick release.
- Easy converting to multiple monitor application.
- Allows the merger of form and function with one product.

Adapter



Attachment Options



Arm



▶ Gas Spring Assisted Arm Gas Spring inside

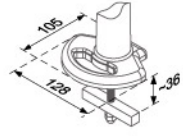
- Tool-less height adjustment.

EA-N311

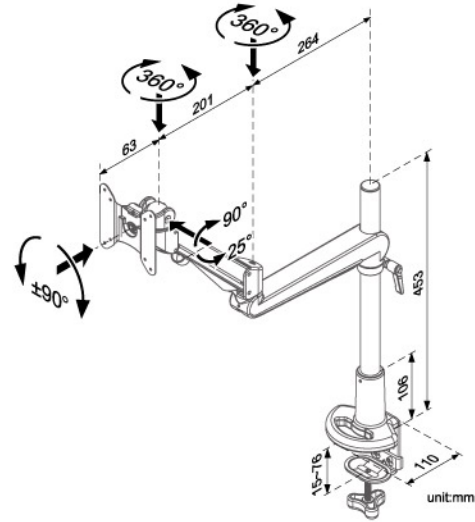
VESA 75/100mm
max 3~8kg (6.6~17.6lbs)



Grommet Type



Grommet Type



▶ Gas Spring Assisted Arm Gas Spring inside

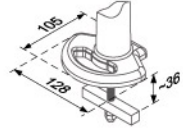
- Additions to arm length can be made easily to provide extended reach.
- Easily adapt to the fluidly changing needs in monitor number.

EA-N321

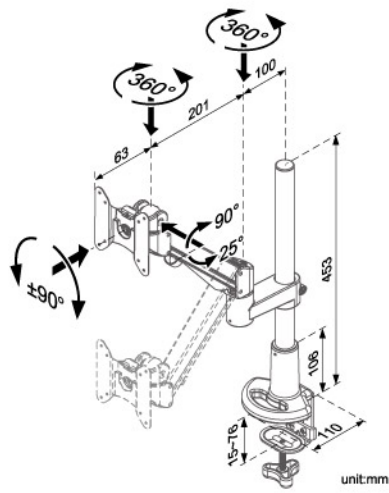
VESA 75/100mm
max 3~8kg (6.6~17.6lbs)



Grommet Type



Grommet Type

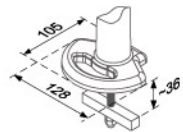


EA-N331

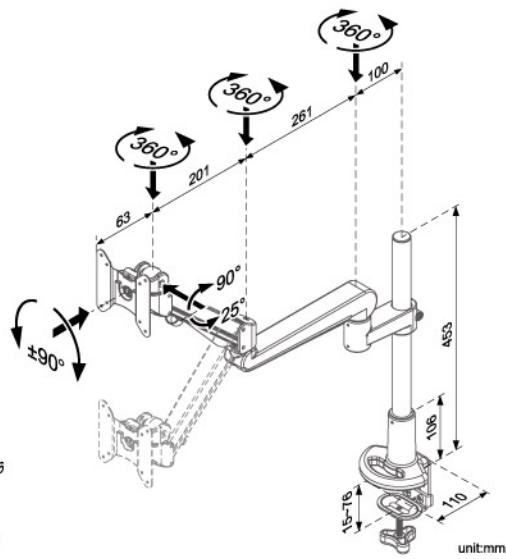
VESA 75/100mm
max 3~8kg (6.6~17.6lbs)



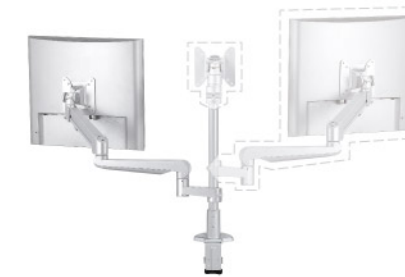
Grommet Type



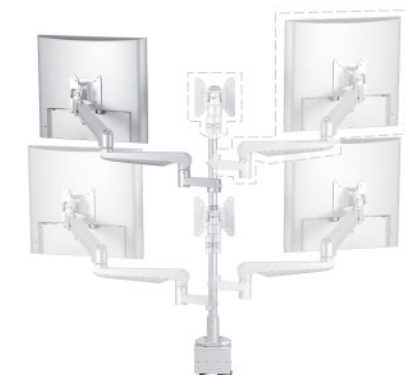
Grommet Type



▶ Converting to Multiple Monitor Application Gas Spring inside



EA-N302
Reverse connector



► Non-dynamic Arm

- Additions to arm length can be made easily to provide extended reach.
- Sturdy design made of high quality aluminum alloy.
- Easy and efficient cable management.

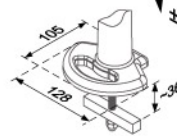


EA-N51-1

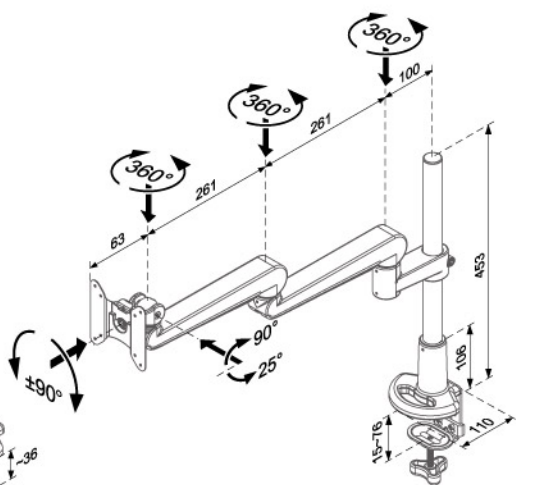
VESA 75/100mm
max ~8kg (17.6lbs)



Grommet Type



Grommet Type



unit:mm

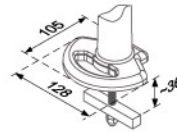


EA-N51-2

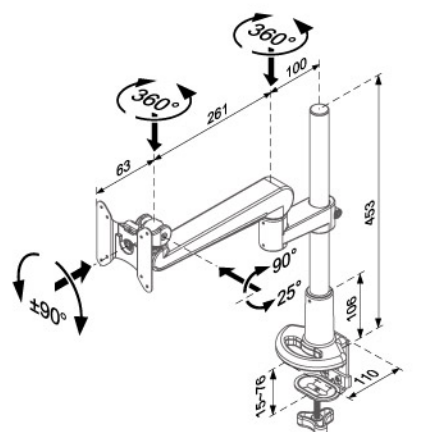
VESA 75/100mm
max ~8kg (17.6lbs)



Grommet Type



Grommet Type



unit:mm

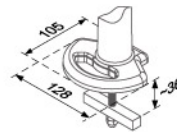


EA-N51-3

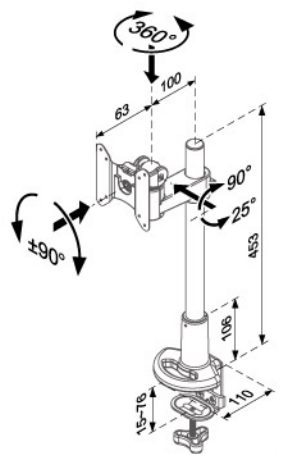
VESA 75/100mm
max ~8kg (17.6lbs)



Grommet Type



Grommet Type

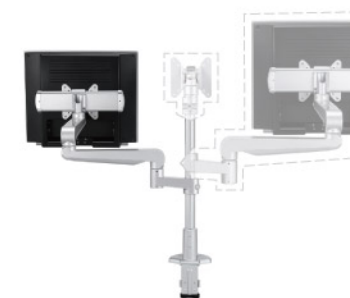


unit:mm

► Converting to Multiple Monitor Application



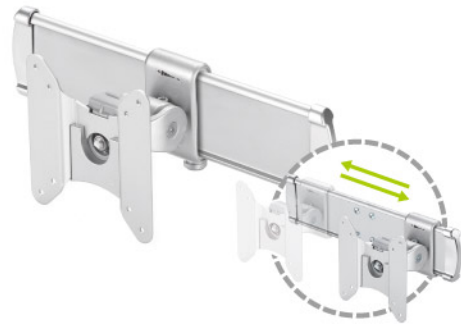
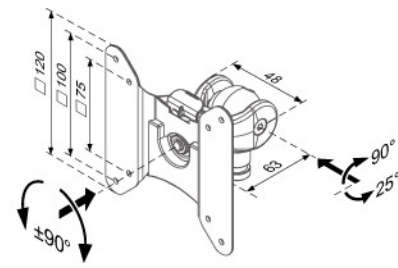
EA-N302
Reverse connector



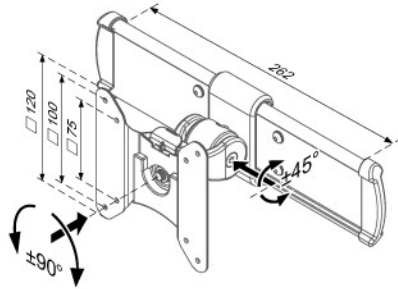
► Specifications of Components unit:mm



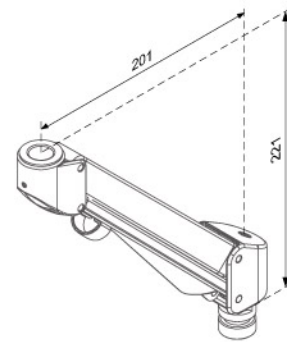
EA-N001
Standard VESA



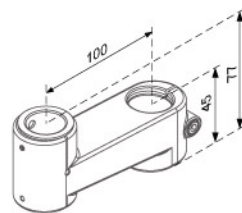
EA-N002
Sliding VESA Mount
Use crossbar to accommodate larger display



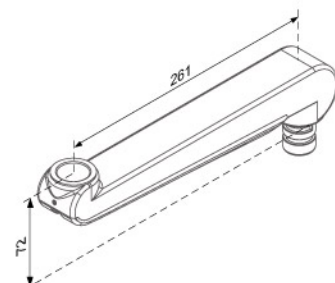
EA-N201
Gas-spring Arm



EA-N302
Connection Arm



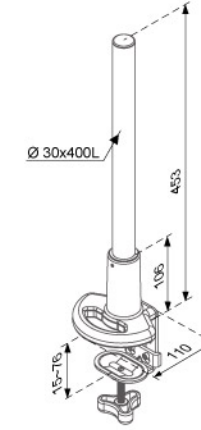
EA-N303
Extension Arm



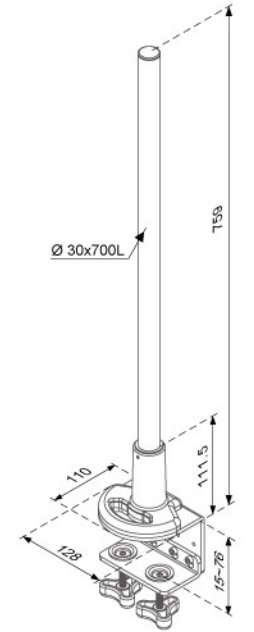
► Specifications of Components unit:mm



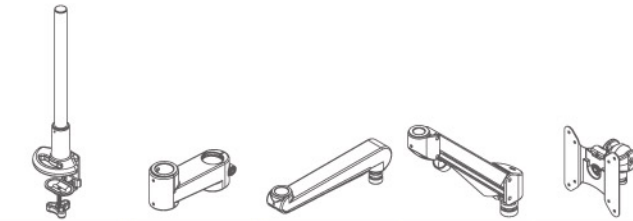
ED-501
Standard



ED-501-700N
Long Pole



► Pole Mount Assembly List



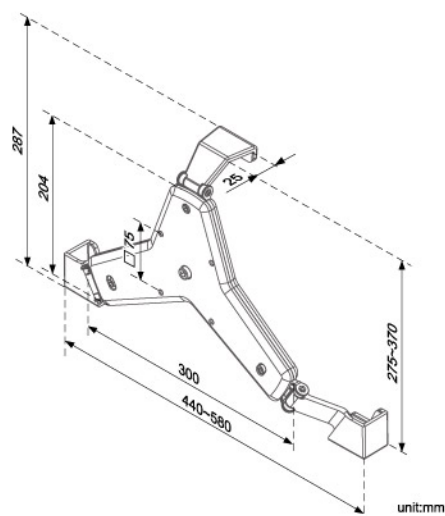
ITEM NO.	ED-501	EA-N302	EA-N303	EA-N201	EA-N001	LOADING	LOADING
EA-N32X		●		●	●	8	17.6
EA-N33X		●	●	●	●	8	17.6
EA-N51X		●	●●		●	8	17.6
EA-N52X		●	●		●	8	17.6
EA-N53X		●			●	8	17.6
ITEM NO.	ED-501	EA-N302	EA-N303	EA-N201	EA-N001	unit / kg	unit / lb
EA-N321	●	●		●	●	8	17.6
EA-N331	●	●	●	●	●	8	17.6
EA-N51-1	●	●	●●		●	8	17.6
EA-N51-2	●	●	●		●	8	17.6
EA-N51-3	●	●			●	8	17.6
ITEM NO.	ED-501	EA-N302	EA-N303	EA-N201	EA-N001	unit / kg	unit / lb

► **VESA Mount Adapter for LCD Monitors** Attachment Option

- Features a lightweight and streamlined design.
- Fits 19"-24" LCD Monitors.
- Helps LCD Monitors to be used with various mounting solutions for ergonomic benefits.
- Connects any VESA-compliant mounting solution with a 75 mm x 75 mm attachment.
- LCD Monitors easily snaps into holder on the three corners for secure placement.



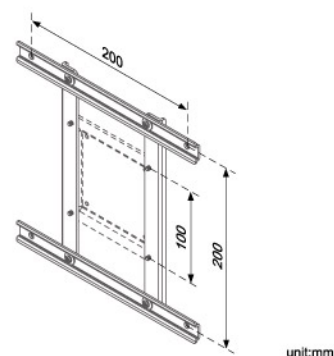
OP-035
max ~15kg (33 lbs)



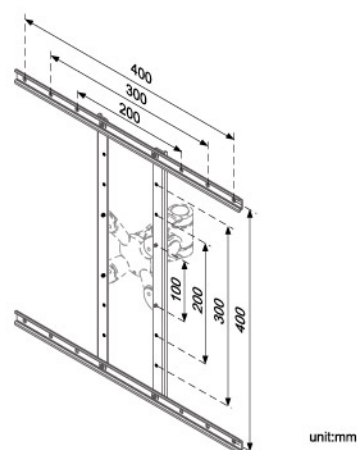
► **VESA Bracket Adapter** Attachment Option



OP-025
VESA 100/200mm
Compatible with any LCD mount that uses 100X100mm VESA mounting hole pattern



OP-026
VESA 200/300/400mm
Compatible with any LCD mount that uses 100X100mm VESA mounting hole pattern



► **Interactive Mobile Multimedia Cart**



PA-601
max ~55kg (121 lbs)



PA-654
max ~100kg (220 lbs)

PA-602
max ~100kg (220 lbs)

► **Signage Stand**



PA-351
max ~18kg (39.6 lbs)
~32"



PA-362
max ~18kg (39.6 lbs)
~32"

► **Tablet Mount**



TA-321
max ~0.75kg (1.65 lbs)



More
Display Mounting Solution
of MODERNSOLID