



Mounting and Mobility Solutions for **Healthcare**

MODERNSOLID INDUSTRIAL CO., LTD.

NO.11-2, Wu Nan Rd., Wu Chi Dist., Taichung City 435, Taiwan.
TEL: 886-4-26397717 / 886-4-26398669 (Rep.) / FAX: 886-4-26398333
Website: www.modernsolid.com / E-mail: info@modernsolid.com.tw

2023.04



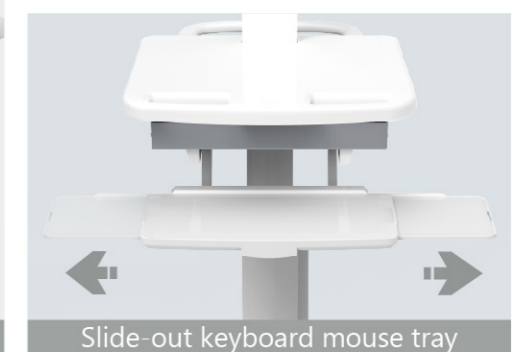
modernsolid.com



New Computing Cart



- Offer full sit-to-stand functionality.
- It is a point of care solution allows to work anywhere in hospital.
- Lockable medication drawer with the trolley offers a safe and convenient healthcare providing.
- Tiltable keyboard tray allows users to have a comfort posture base on their need.
- Applicable for laptops, single monitor, dual monitor, or devices.

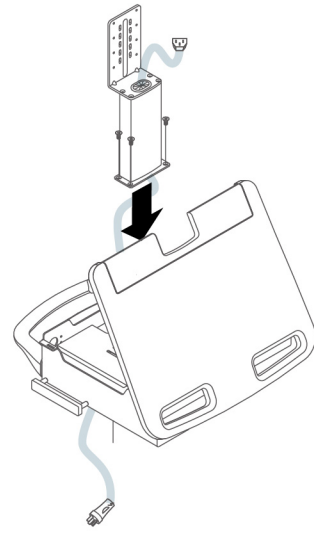


HC-180 Series

Gas Spring inside



HC-181
max 5~10kg (11~22lbs)



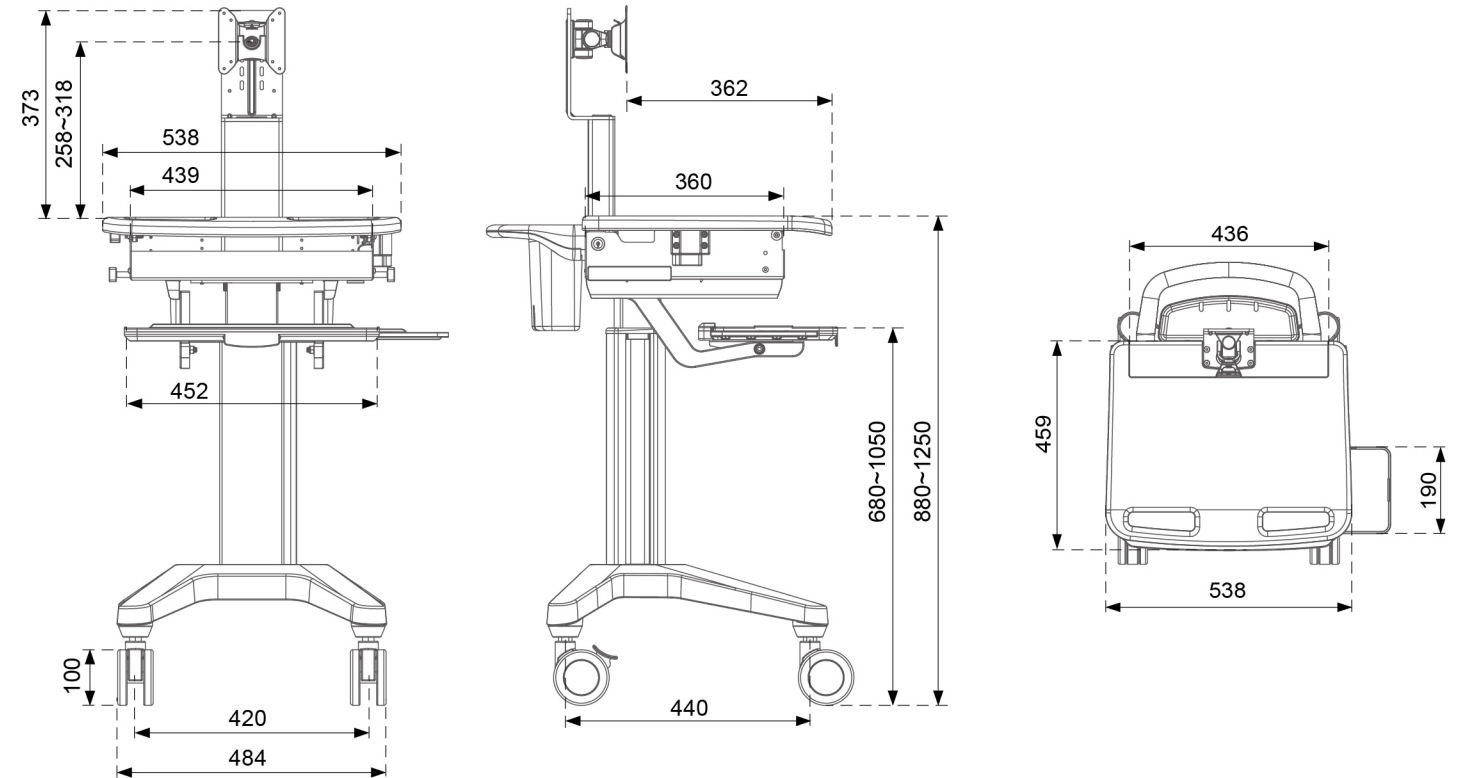
Easy Cable Installation and Replacement



HC-180
max 1~5kg (2.2~11lbs)

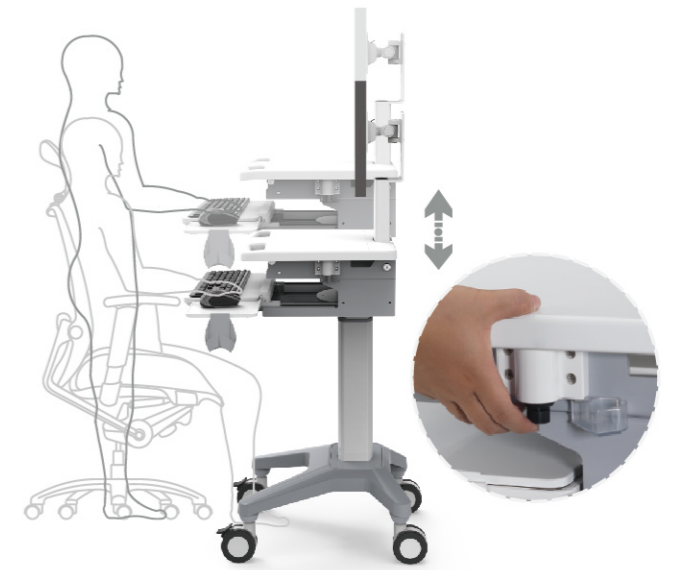


HC-182
max 10~15kg (22~33lbs)



unit:mm

Mobile Computing Cart



- Accommodates flexible configurations: Laptop, CPU and monitor, All-In-One computers, etc.
- Improved workflow efficiency and better patient care.
- Height adjustable to accommodate users of sitting and standing work postures.
- A lightweight size and small footprint for easy movement.
- Slide-out keyboard tray includes left to right sliding mouse tray.
- Organized cable management gives a neat look.



Monitor height adjustable



Quick monitor installation



Cable management



Laptop computer storage



Slide-out keyboard mouse tray

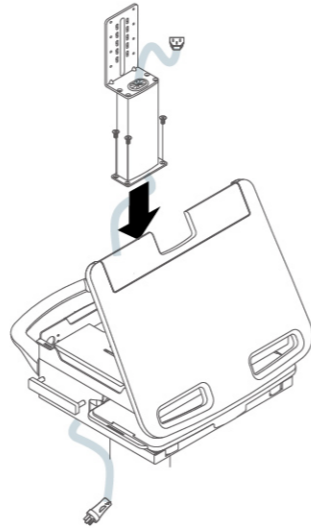


Stay stable on the slopes of 10°

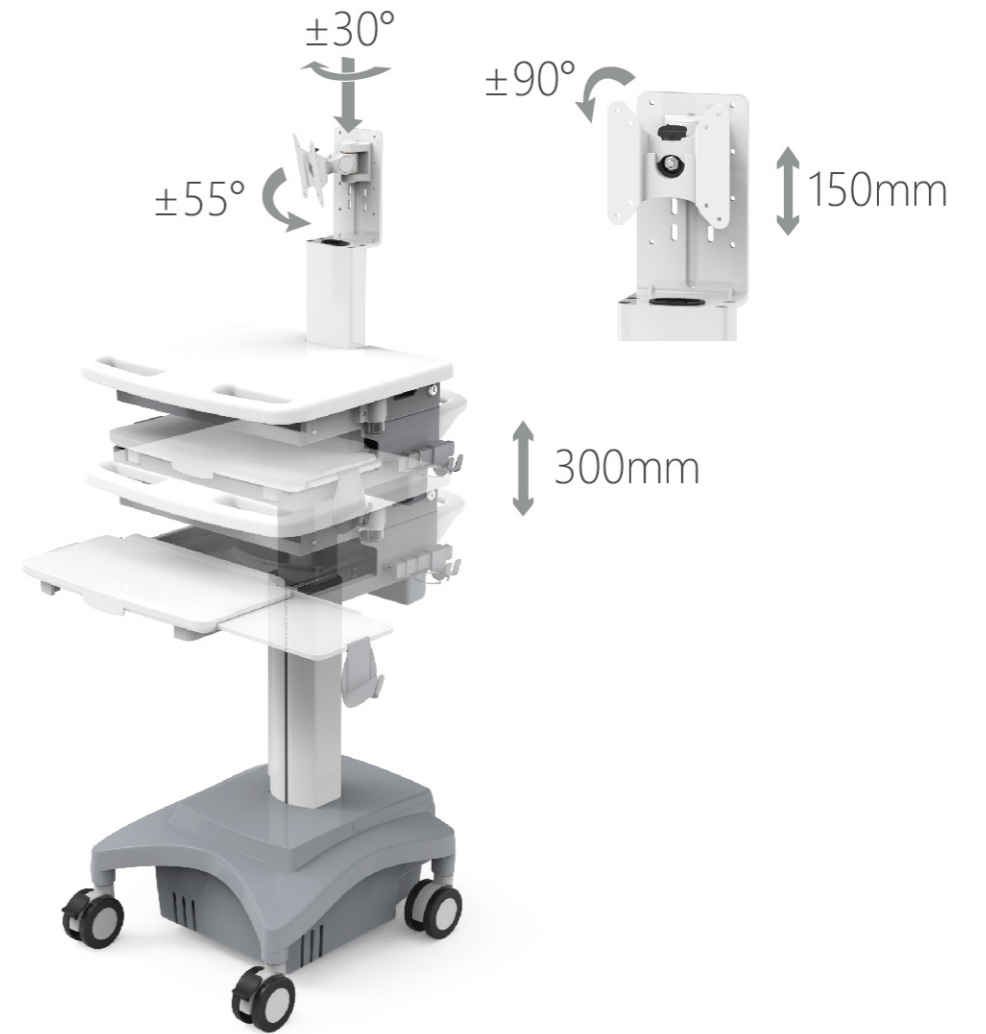
HC-100 Series Gas Spring inside



HC-N101
max 5~10kg (11~22lbs)



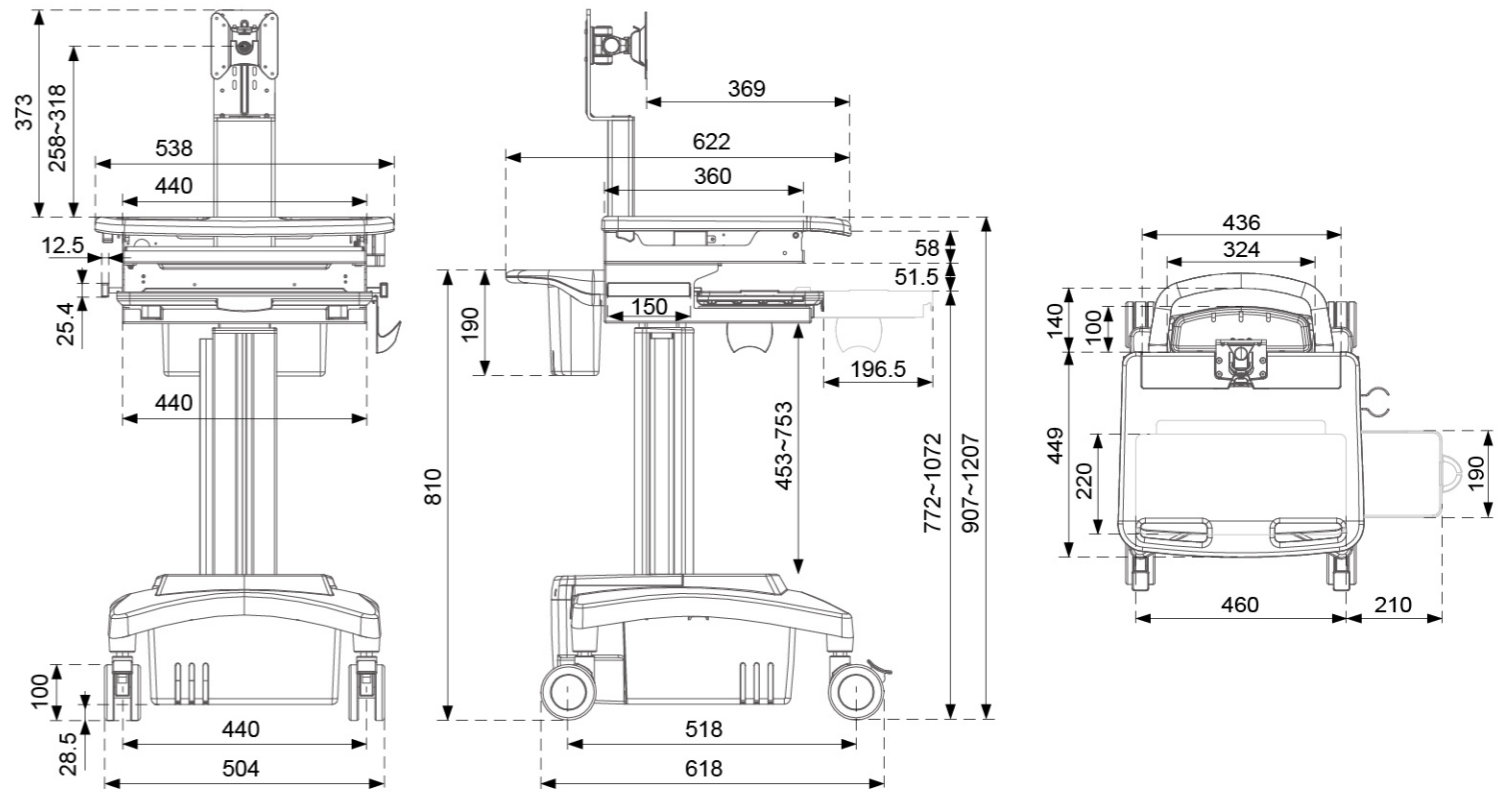
Easy Cable Installation and Replacement



HC-100
max 1~5kg (2.2~11lbs)



HC-N102
max 15~20kg (33~44lbs)

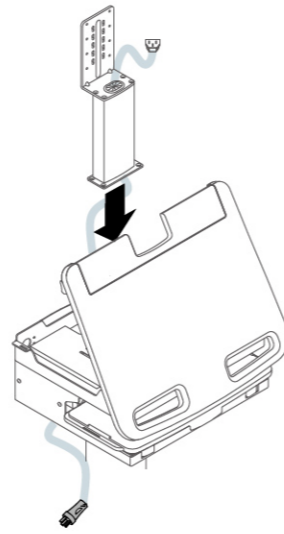


unit:mm

HC-150 Series Gas Spring inside



HC-N151
max 5~10kg (11~22lbs)



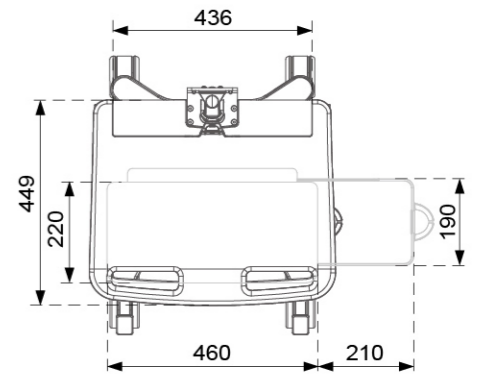
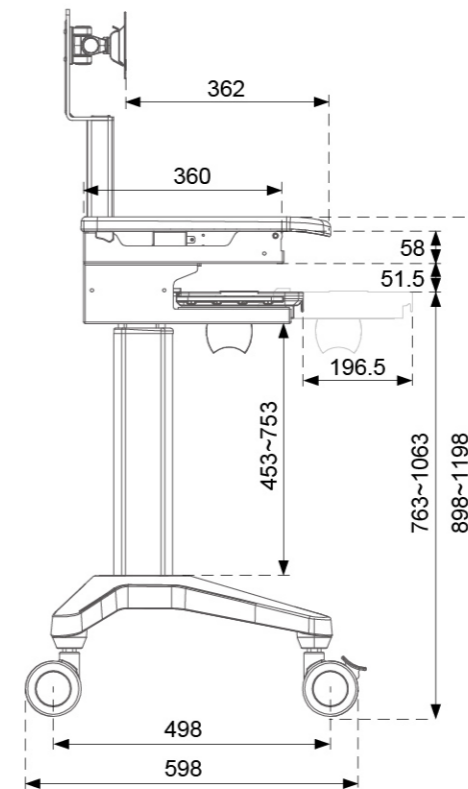
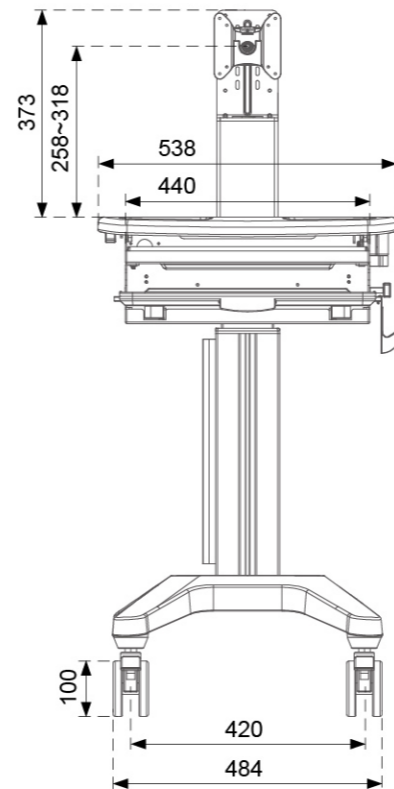
Easy Cable Installation and Replacement



HC-150
max 1~5kg (22~11lbs)



HC-N152
max 10~15kg (22~33lbs)



unit:mm

HC-160 / 300 Series

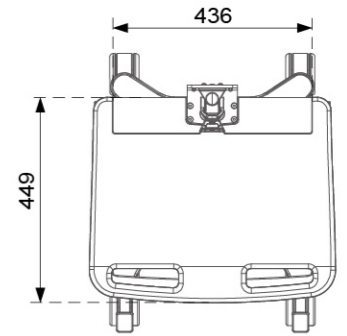
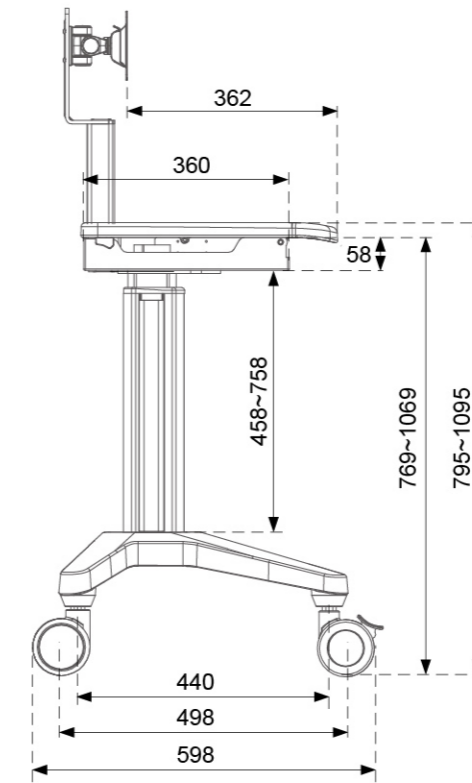
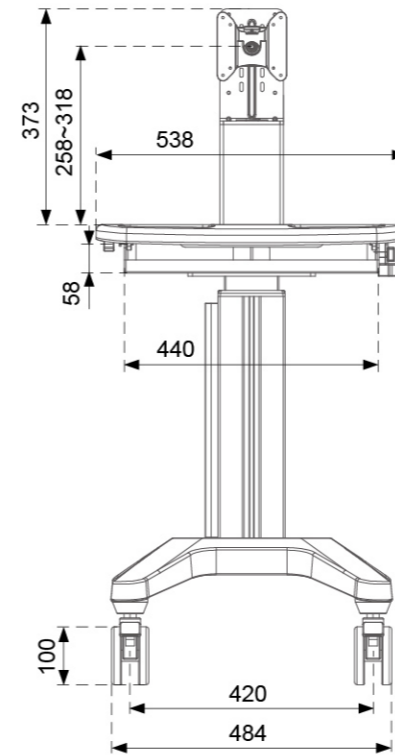
Gas Spring inside



HC-160
max 1~5kg (2.2~11lbs)



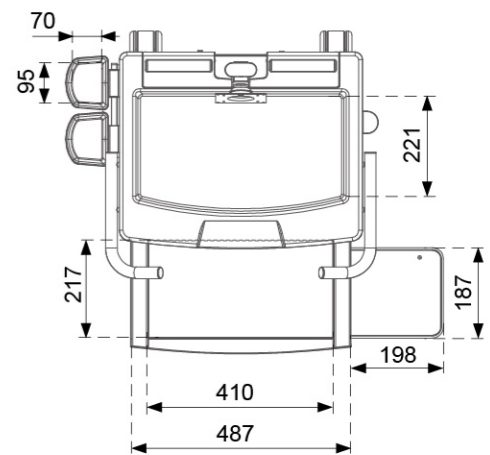
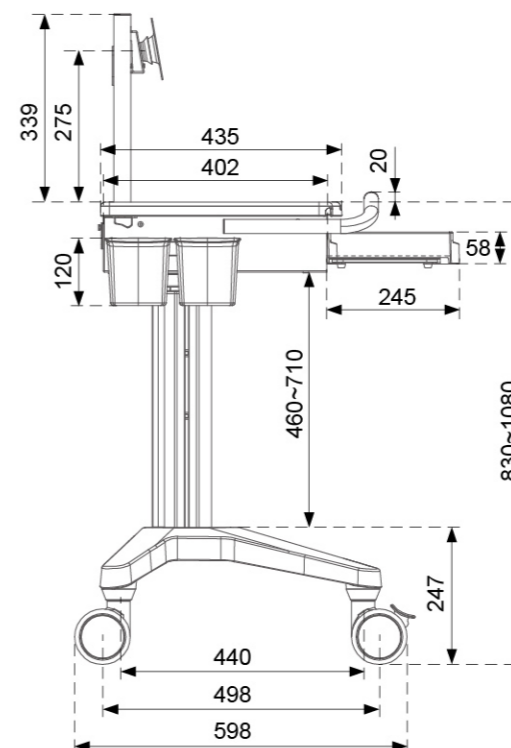
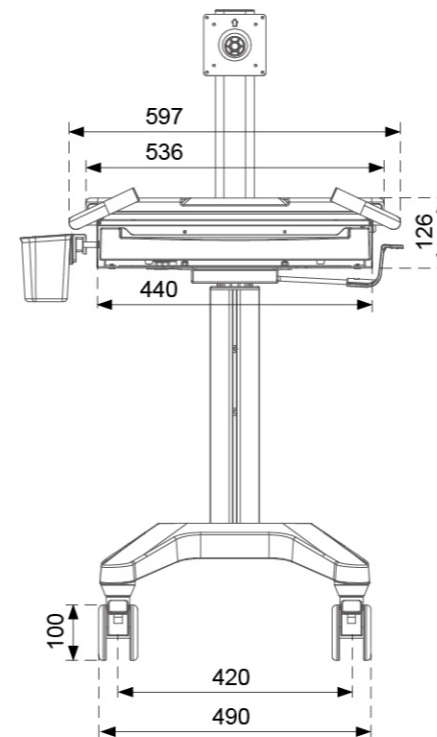
HC-N161
max 5~10kg (11~22lbs)



HC-300
max 1~5kg (2.2~11lbs)



HC-301
max 5~10kg (11~22lbs)



unit:mm

Simple Computing / Equipment Carts



- Apply for patient monitor, LCD Monitor and medical devices.
- The five-legged base offers a stable foundation.
- Optional accessories such as basket, handle, table board and holder.
- The simple and lightweight design offer effortless maneuverability
- Wheels with locking function are colored in bright yellow Intuitive design increases workflow efficiency.



Tilt adjustment



Height adjustment




Cable management



Visual design of the base

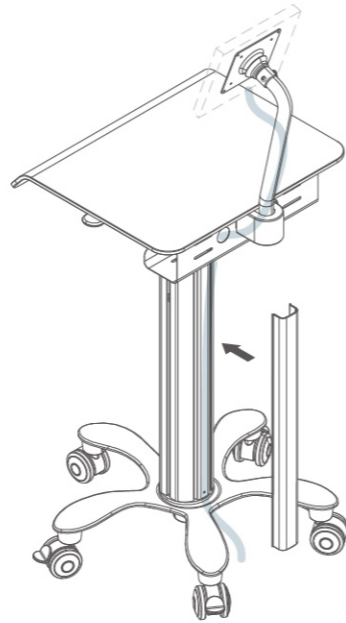
HC-350 / 360 Series



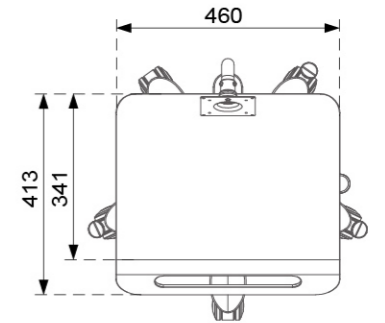
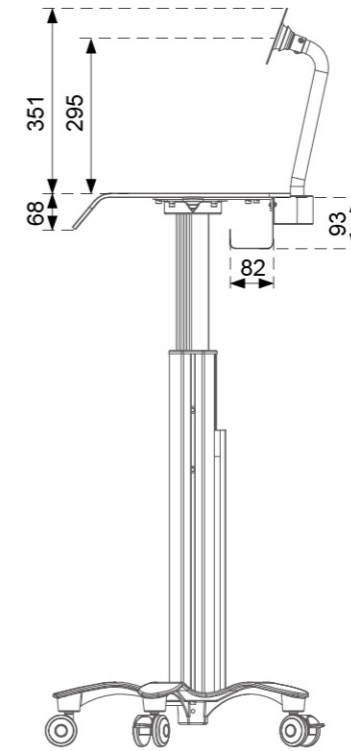
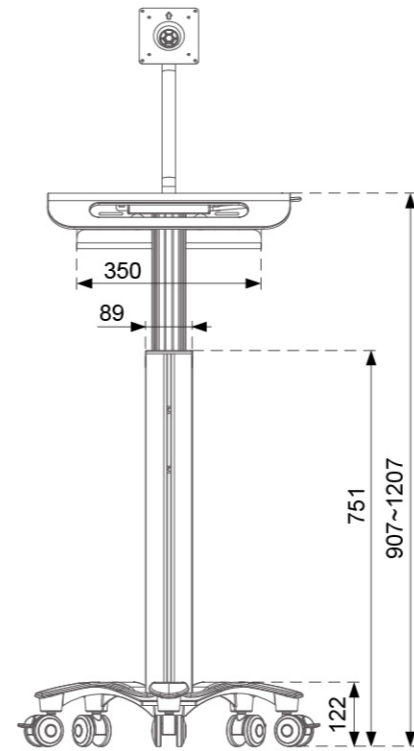
HC-350
 1~8kg (2.2~17.6lbs)




HC-351
 75/100mm
 1~8kg (2.2~17.6lbs) / ~5kg (~11lbs) monitor arm

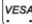


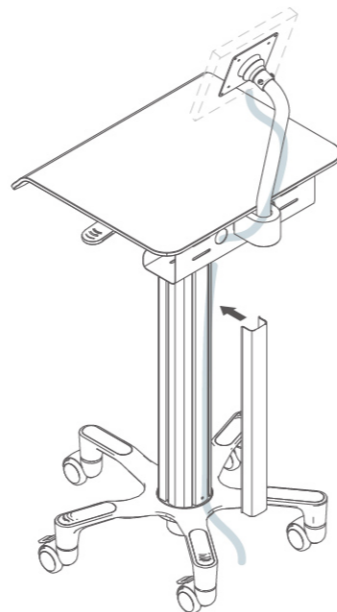
Easy Cable Installation and Replacement



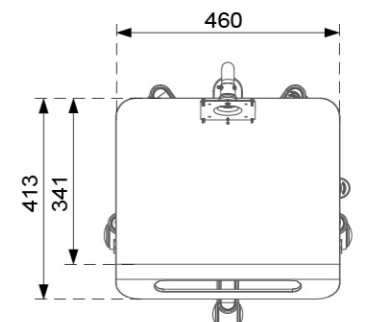
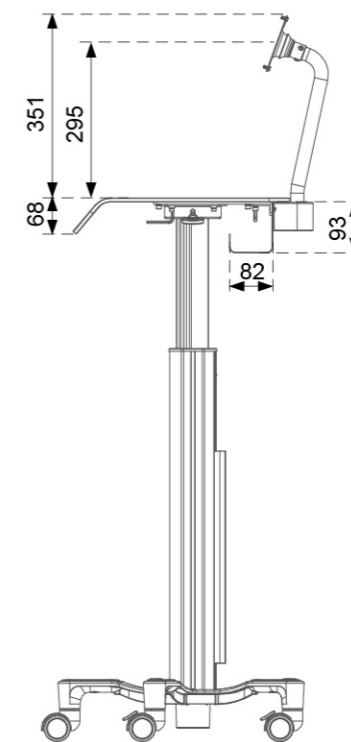
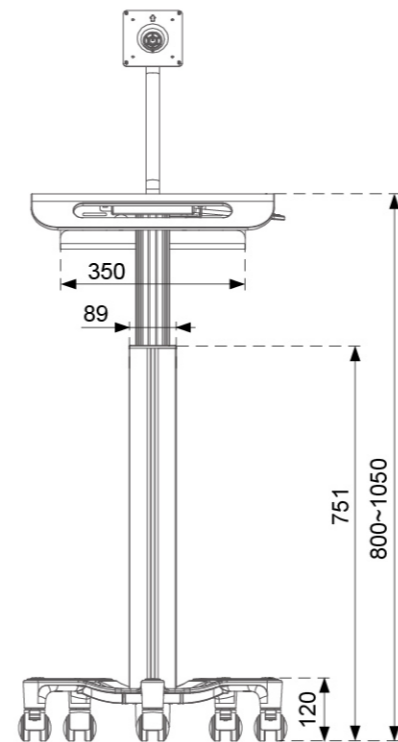
HC-360
 1~8kg (2.2~17.6lbs)



HC-361
 75/100mm
 1~8kg (2.2~17.6lbs) / ~5kg (~11lbs) monitor arm



Easy Cable Installation and Replacement



unit:mm

HC-500 / 520 Series



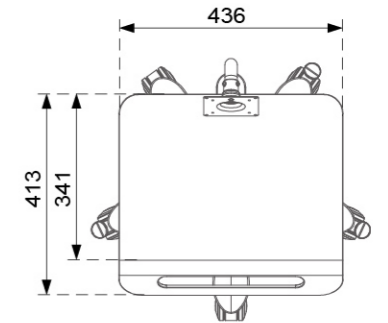
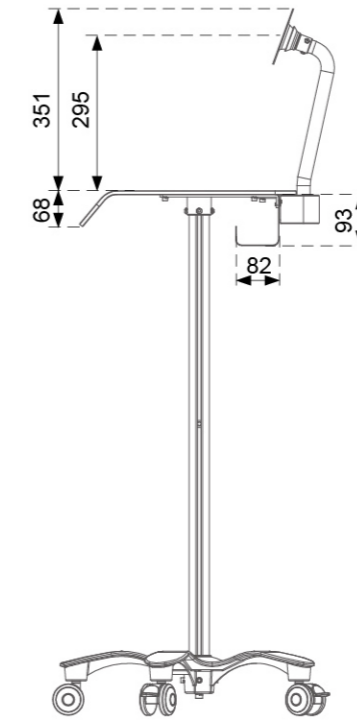
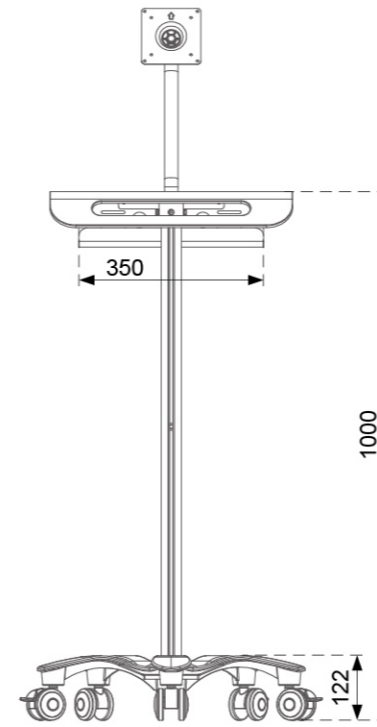
HC-500
 max ~10kg (~22lbs)



HC-501
 VESA 75/100mm
 max ~10kg (~22lbs) / ~5kg (~11lbs) monitor arm



HC-505
 VESA 75/100mm
 max ~15kg (~33lbs)



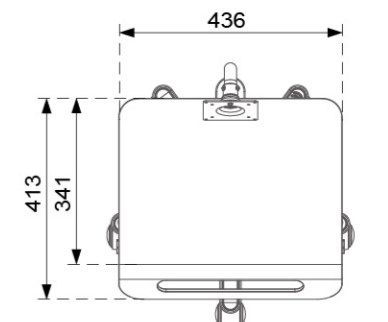
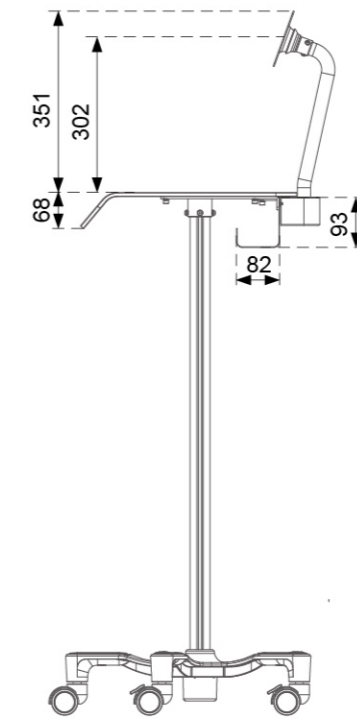
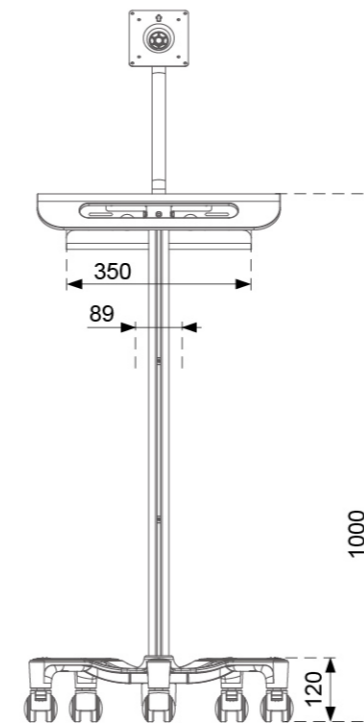
HC-520
 max ~10kg (~22lbs)



HC-521
 VESA 75/100mm
 max ~10kg (~22lbs) / ~5kg (~11lbs) monitor arm



HC-525
 VESA 75/100mm
 max ~15kg (~33lbs)

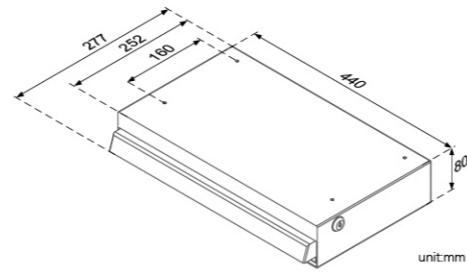


unit:mm

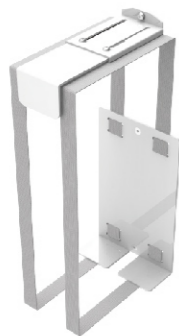
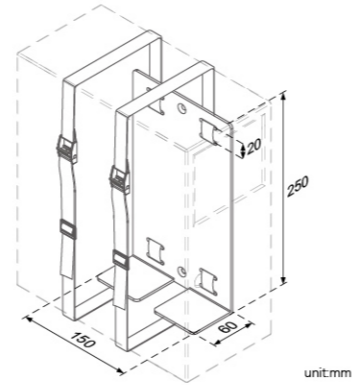
Optional Accessory



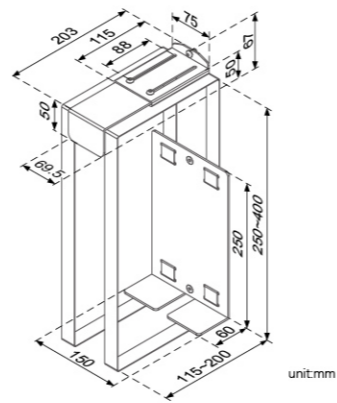
HCA-001
Sliding Keyboard Tray with Keylock
The tray provides security to your system access by allowing the keyboard to be locked inside.



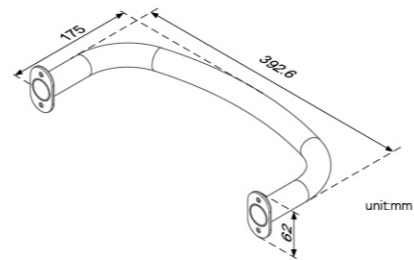
HCA-002
Universal CPU Holder
This easy-to-install holder accommodating the majority of CPUs brings CPUs in reach when needed.



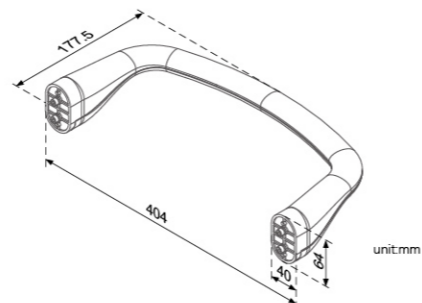
HCA-002A
Universal CPU Holder
This easy-to-install holder accommodating the majority of CPUs brings CPUs in reach when needed.



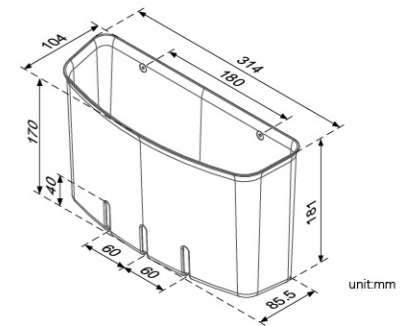
HCA-003
Steel Handle
Optional one-piece steel handle is available to be added to the rear of the cart.



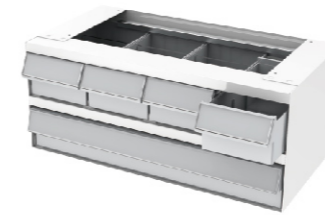
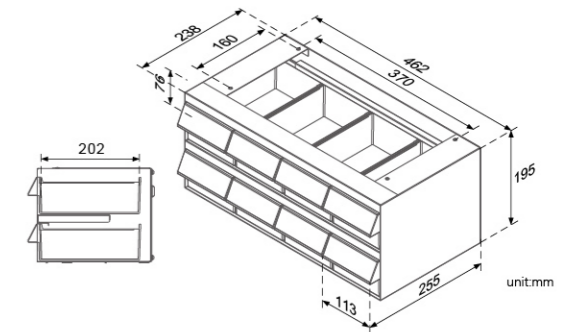
HCA-004
Plastic Handle
Optional one-piece steel handle is available to be added to the rear of the cart.



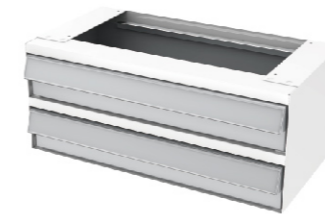
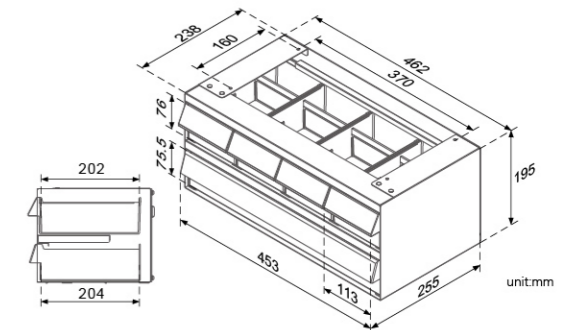
HCA-005
storage basket
Big storage capacity to put documents, alcohol and medical equipment.



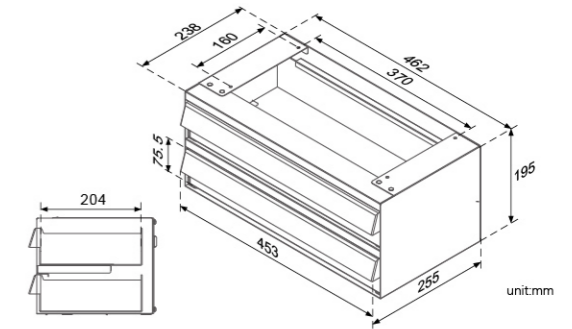
HCA-N010
Medication Drawer Tray
Optional locking storage drawers provide segregated and secure storage of medications and supplies.



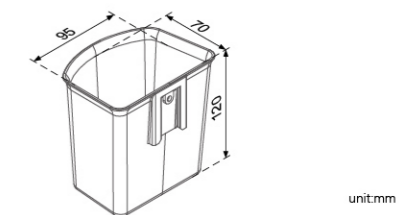
HCA-N010A
Medication Drawer Tray
Optional locking storage drawers provide segregated and secure storage of medications and supplies.



HCA-N010B
Medication Drawer Tray
Optional locking storage drawers provide segregated and secure storage of medications and supplies.



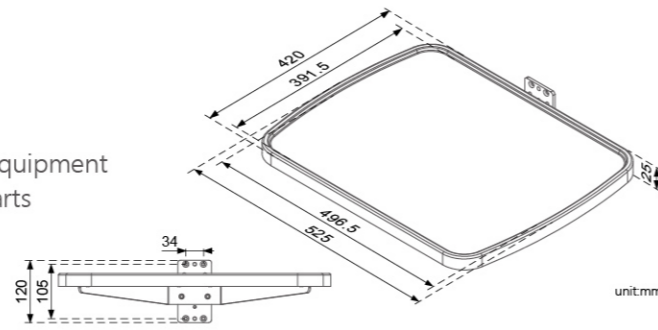
HCA-011
Storage basket
Could be connected with HCA-012. simple storage for cotton swabs, remot control, or trash can could be a great choice.



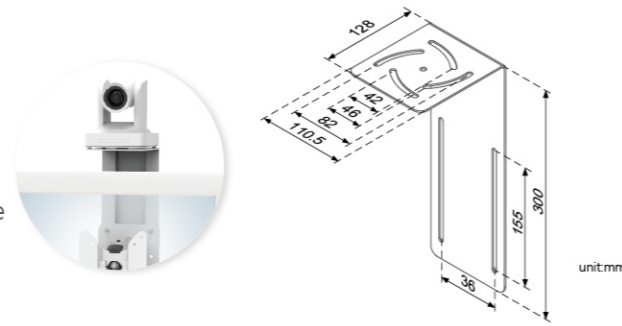
Optional Accessory



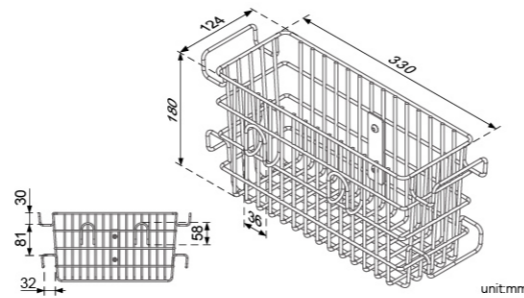
HCA-013
Easy to Clean Shelf
 Space for medical device, equipment and document to increase carts efficiency.



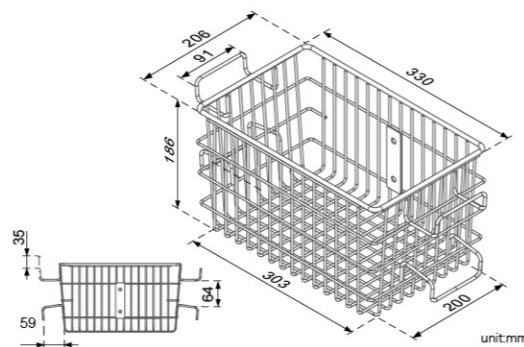
HCA-017
Device Bracket
 Open architecture allows for the integration of most standard computer and mobile communications equipment.



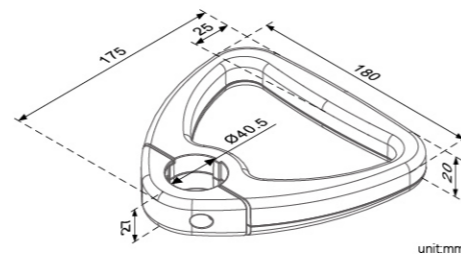
HCA-501
Small Basket
 Optional basket provides the storage space for the cables, scanner and blood pressure cuff etc.



HCA-502
Large Basket
 Optional basket provides the storage space for the cables, scanner and blood pressure cuff etc.



OP-040
Hand Holder
 Ergonomic hand holder for HC-505 /HC-525



Customized Design Service



- Product Design Service for any physiological monitoring Device Application. Ex : electric blood pressure monitor, thermal detector, trolley for Ultrasonic Scanner, X-RAY system...so on.



Telemedicine Cart



Modernsolid provides various accessories for our carts to achieve the ideal telemedicine cart that meets customers' demands. Telemedicine mobile cart is applicable in medical, education, household and etc.



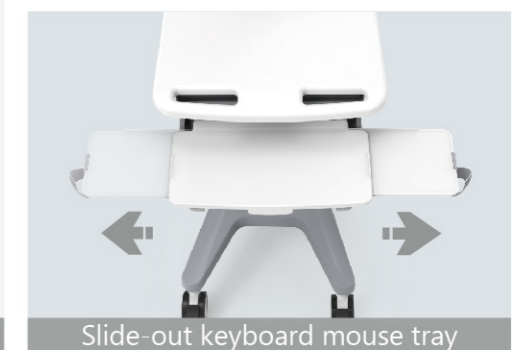
Cable Management



Quick monitor installation



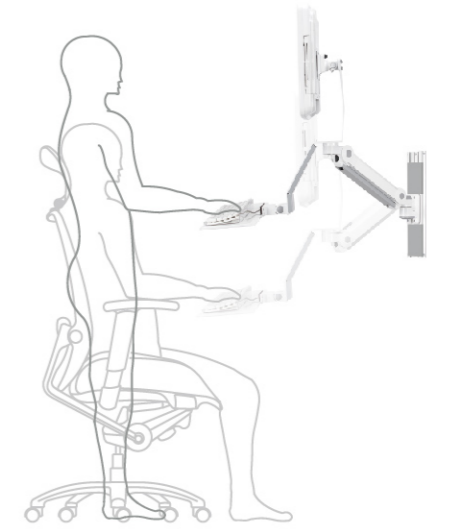
Device Bracket



Slide-out keyboard mouse tray

Medical

Wall Mounted Solution



- Built for normal duty and heavy duty computer workstation use.
- Organized cable management promotes infection prevention and control.
- Superior design to provide easy adjustment for patients and caregivers.



Monitor height adjustable



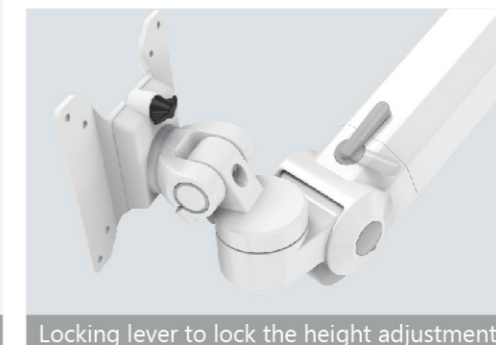
Quick-release VESA mount



Space saving



with the extended work surface



Locking lever to lock the height adjustment



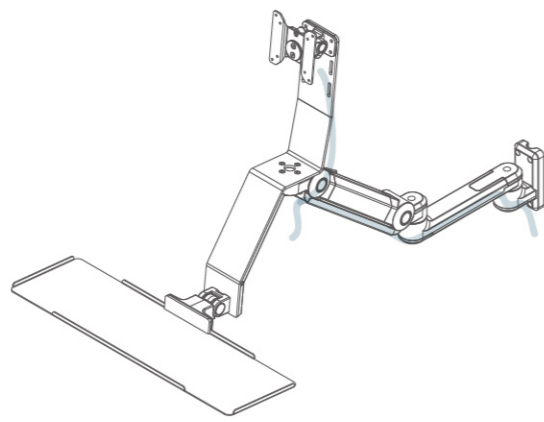
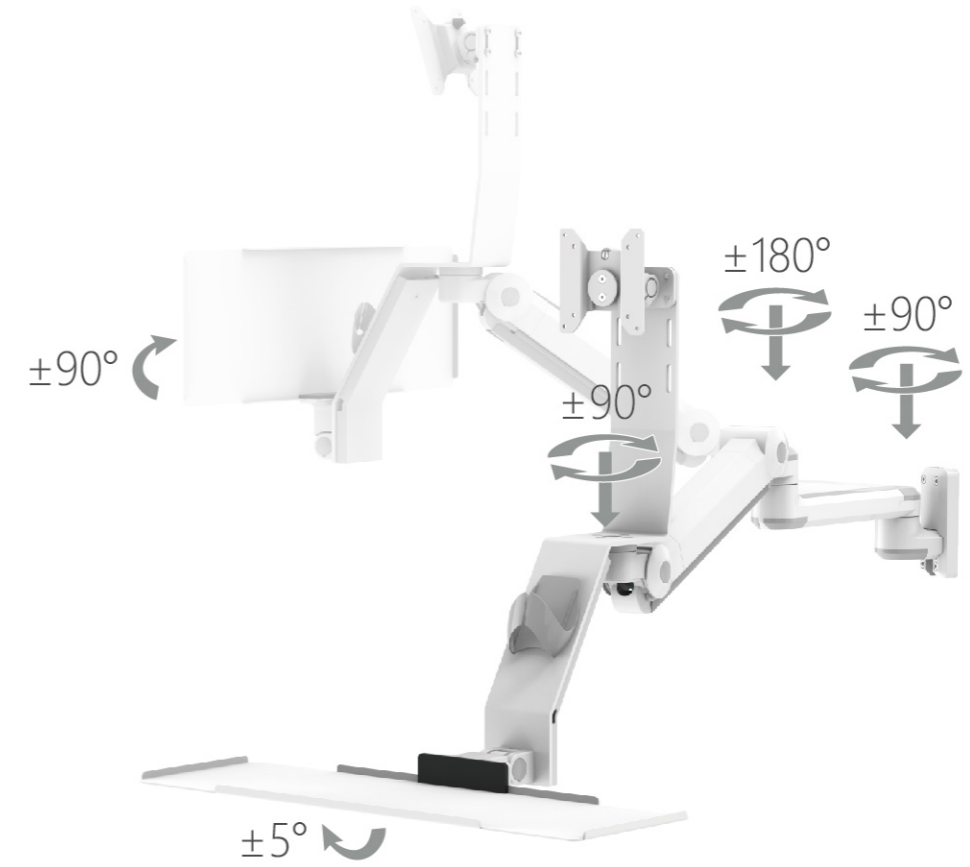
180° stop mechanism on arm

Gas-Spring Assisted Articulating Arm Gas Spring inside



HM-B8525

VESA 75/100mm
 max ~9kg (~19.8lbs)



Easy Cable Installation and Replacement



HM-A061
 Low Gas-spring
 Assisted Arm

max ~9kg (19.8lbs)



HM-B061
 High Gas-spring
 Assisted Arm

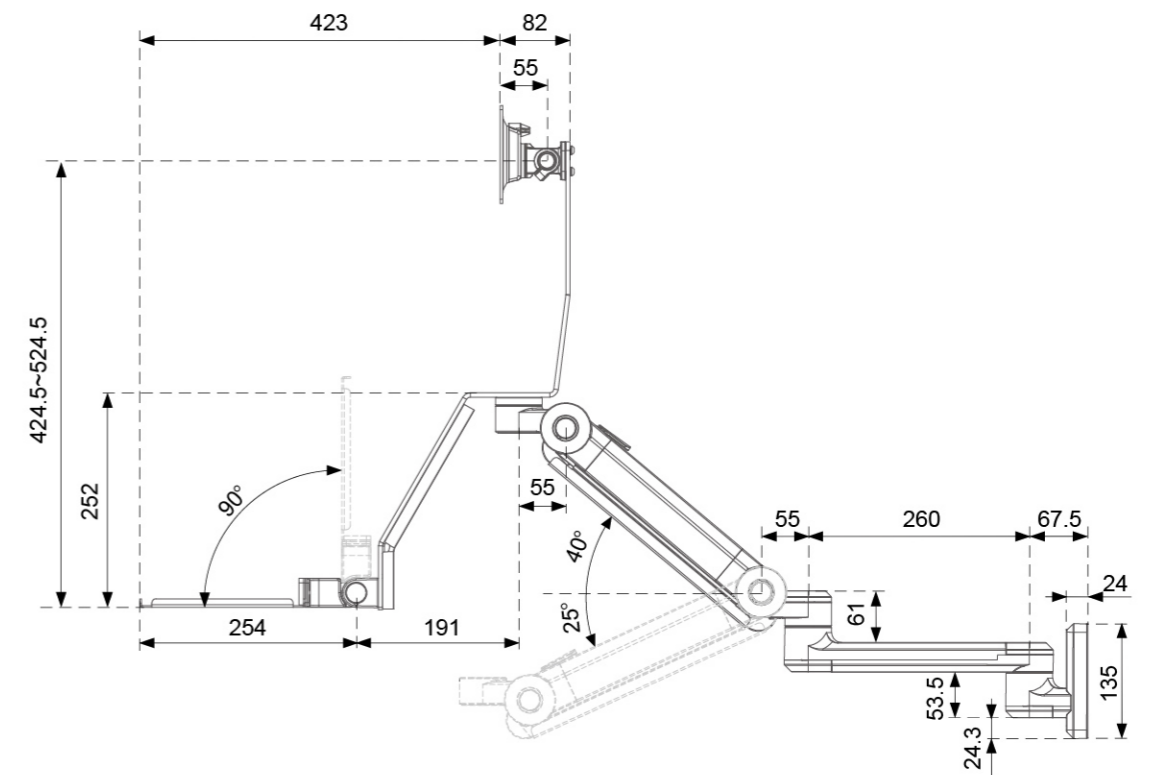
max ~16kg (35.2lbs)

HM-A062
 Low Gas-spring
 Assisted Articulating Arm

max ~9kg (19.8lbs)

HM-B062
 High Gas-spring
 Assisted Articulating Arm

max ~16kg (35.2lbs)



unit:mm

Gas-Spring Assisted Articulating Arm



Wall Mount

HM-A5611 **HM-B5611**
 ~8kg (~17.6lbs)  ~15kg (~33lbs)

Track Mount

HM-A8611 **HM-B8611**
 ~8kg (~17.6lbs)  ~15kg (~33lbs)



Wall Mount


HM-A5621 **HM-B5621**
 ~8kg (~17.6lbs)  ~15kg (~33lbs)

Track Mount


HM-A8621 **HM-B8621**
 ~8kg (~17.6lbs)  ~15kg (~33lbs)

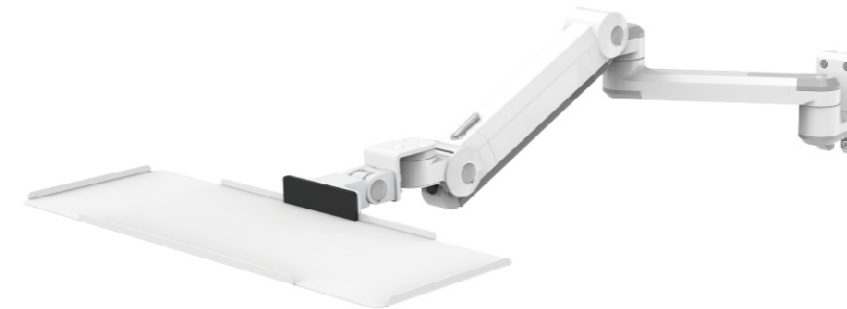


Wall Mount


HM-A5617
 ~6kg (~13.2lbs)

Track Mount


HM-A8617
 ~6kg (~13.2lbs)



Wall Mount


HM-A5627
 ~6kg (~13.2lbs)

Track Mount


HM-A8627
 ~6kg (~13.2lbs)



Wall Mount


HM-B5615
 ~9kg (~19.8lbs)

Track Mount


HM-B8615
 ~9kg (~19.8lbs)



Wall Mount

HM-B5625
 ~9kg (~19.8lbs)

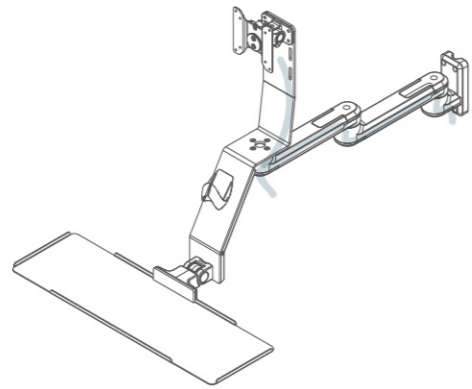
Track Mount

HM-B8625
 ~9kg (~19.8lbs)

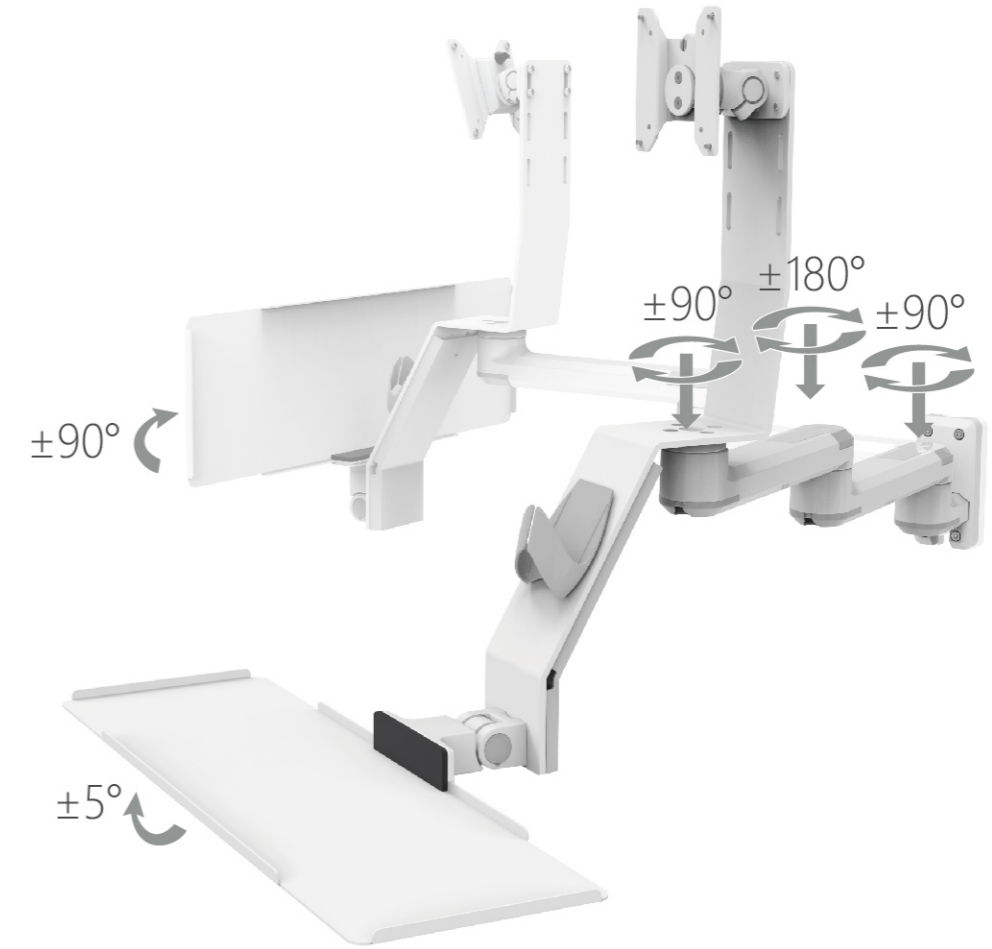
Laterally Adjusting Arm



HM-5525
 VESA 75/100mm
 max ~15kg (~33lbs)



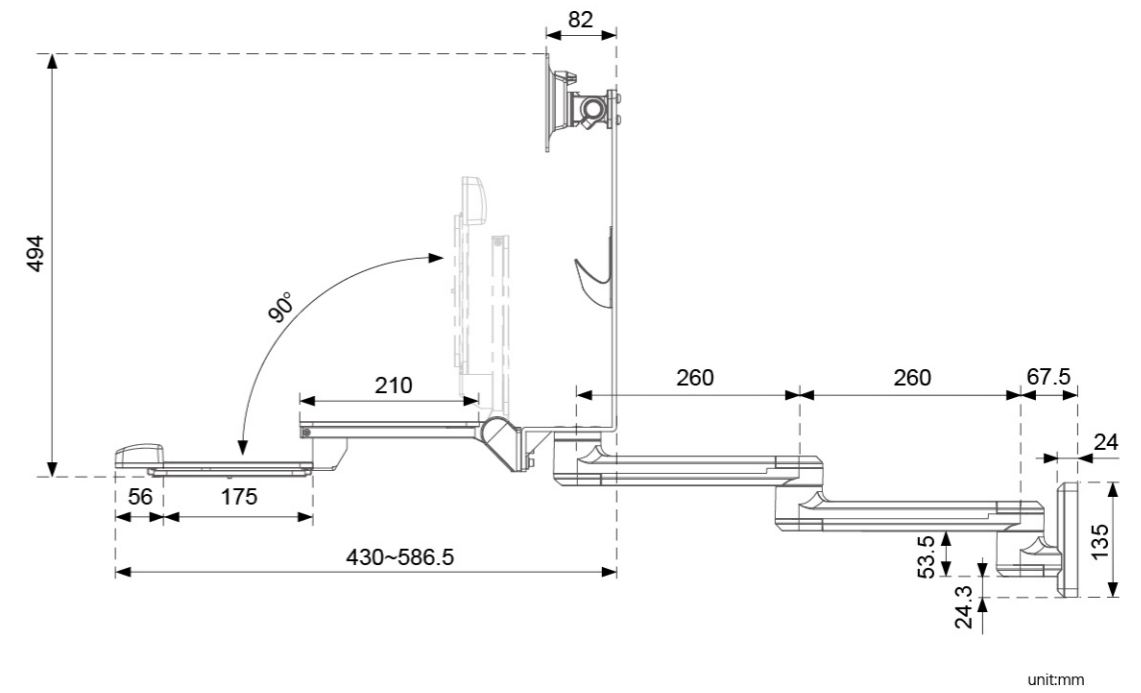
Easy Cable Installation and Replacement



HM-051
 Extension Arm
 max ~22kg (48.4lbs)



HM-052
 Laterally Adjustable
 Double Arm
 max ~22kg (48.4lbs)



Laterally Adjusting Arm



Wall Mount
HM-5511
max ~15kg (~33lbs)

Track Mount
HM-8511
max ~15kg (~33lbs)



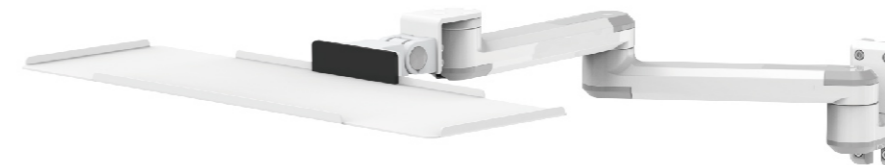
Wall Mount
HM-5521
max ~15kg (~33lbs)

Track Mount
HM-8521
max ~15kg (~33lbs)



Wall Mount
HM-5517
max ~6kg (~13.2lbs)

Track Mount
HM-8517
max ~6kg (~13.2lbs)



Wall Mount
HM-5527
max ~6kg (~13.2lbs)

Track Mount
HM-8527
max ~6kg (~13.2lbs)



Wall Mount
HM-5515
max ~15kg (~33lbs)

Track Mount
HM-8515
max ~15kg (~33lbs)



Wall Mount
HM-5525
max ~15kg (~33lbs)

Track Mount
HM-8525
max ~15kg (~33lbs)

Specification

Attachment Options



HM-015
Wall Mount Bracket



HM-018
Track Mount Bracket



HM-031-450
Wall Track
450cm



HM-031
Wall Track
946cm

Adapte

The use of any adapter decreases the weight capacity.



HM-001
Display Bracket
VESA 75/100mm
N.W.(Kg/lbs): 1kg (2.2lbs)
MAX ~15kg (33lbs)



HM-005
Display Bracket
w/ Keyboard Tray
VESA 75/100mm
N.W.(Kg/lbs): 7kg (15.4lbs)
MAX ~15kg (33lbs)



HM-007
Keyboard Tray
N.W.(Kg/lbs): 3kg (6.6lbs)
MAX ~6kg (13.2lbs)

Optional Accessories



HM-095
CPU Holder



HM-095A
CPU Holder
for Track Mount Type

Healthcare Applications



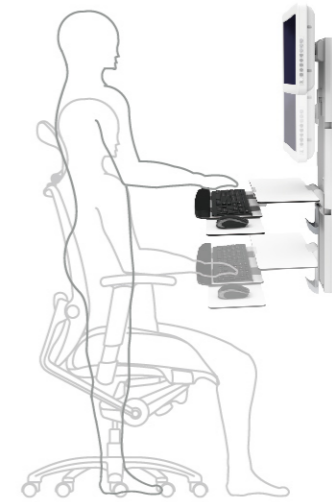
- MRI Scan Room
- Radiology Room
- Emergency Room
- Intensive Care Units
- Operating Room
- Pharmacy
- Nurse Station

Besides the above applications, the Apollo Series Mounts can also be configured for different medical devices in the hospital settings. This adds more flexibility and maximizes the ergonomic benefits!



Sit-Stand

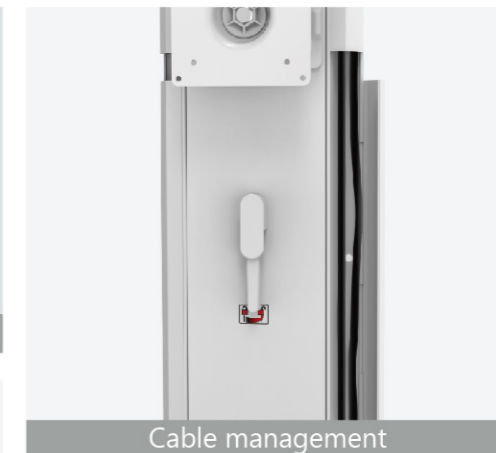
Wall Mounted Workstation



- Good price with Elegant Design.
- Quick Monitor Installation settings.
- Cable Management.
- Working Board for writing and documentation.
- Locking lever for height adjustment.



Quick monitor installation



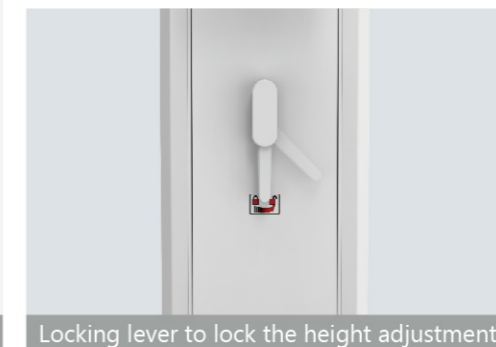
Cable management



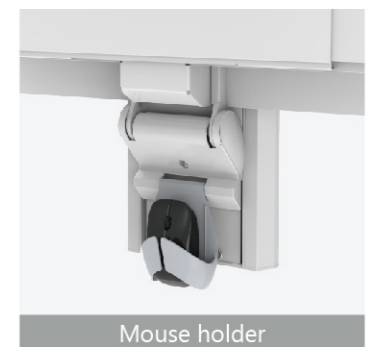
4 inches



With working board for writing and documentation



Locking lever to lock the height adjustment

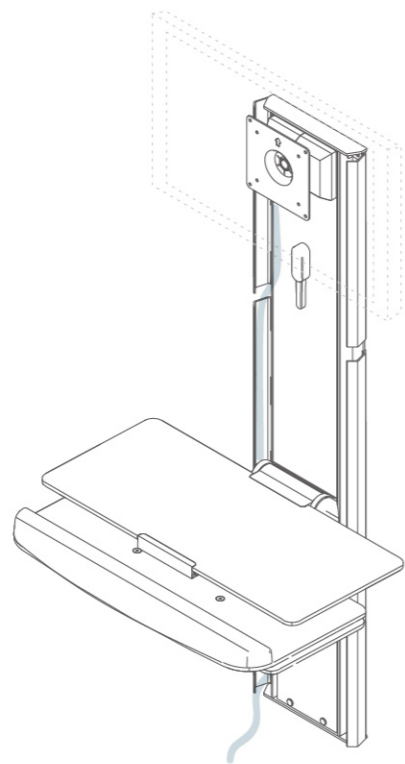
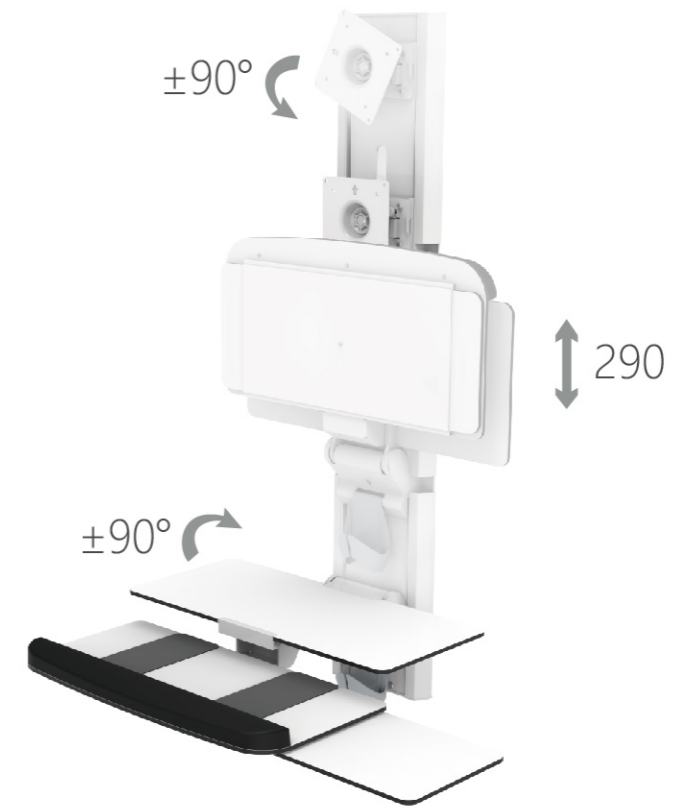


Mouse holder

Sit-Stand Wall Mounted Workstation



HM-100
 VESA 75/100mm
 max ~6kg (~13.2lbs)



Easy Cable Installation and Replacement

